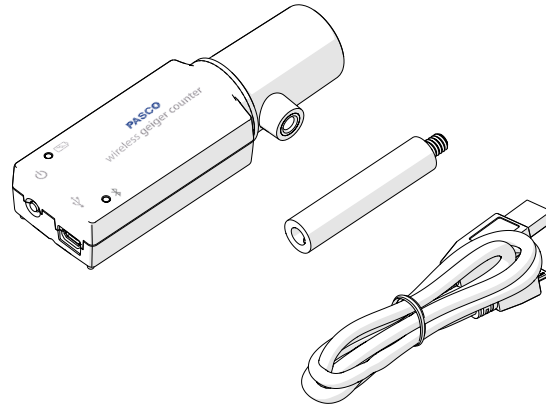


Wireless Geiger Counter

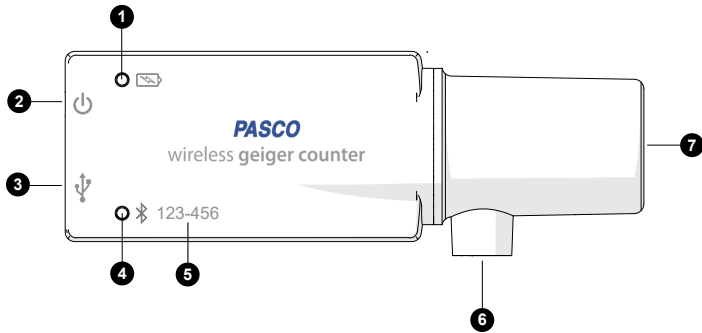
PS-3238



What's included

- Wireless Geiger Counter
- USB Cable
- Threaded handle

Features



1 Battery status light

Indicates the status of the Bluetooth connection.

Light	Status
Red, blink	Low battery level
Green, solid	Fully charged
Yellow, solid	Charging

2 Power button

Turn the sensor on or off by pressing the power button until the lights turn on. Turn the audible count indicator beep on or off by pressing the power button for a half-second. Two beeps indicate that the audible count indicator beep is turned off and one beep indicates that it is turned on.

3 USB port

Charge the battery by connecting the USB port to a USB wall charger using the USB cable. You can also use USB to connect to a PC, Mac, Chromebook, or Android device.

4 Bluetooth status light

Indicates the status of the Bluetooth connection or remote logging. See the SPARKvue or PASCO Capstone help for instructions on how to use remote logging.

Light	Status
Red, blink	Ready to pair
Green, blink	Paired
Yellow, blink	Remotely logging data

5 Device ID

Use the device ID to identify the sensor when connecting using Bluetooth.

6 Threaded hole

Attach the threaded handle to the hole for mounting the sensor to a rod stand.

7 Sensor window

Place a radioactive sample in front of the window to detect alpha, beta, and gamma particles. A built-in metal mesh screen protects the mica window in the front of the Geiger–Müller detector tube.

First use tasks

Perform the tasks in this section before using the sensor with students. It's also recommended to perform these tasks at the beginning of each semester to minimize disruptions.

Charge the battery

Charge the battery by connecting the USB port to any standard USB charger. The battery status light is solid yellow while charging. When fully charged, the light changes to solid green.

Get the software

You can use the sensor with SPARKvue or PASCO Capstone software. If you're not sure which to use, visit [pasco.com/products/guides/software-comparison](https://www.pasco.com/products/guides/software-comparison).

SPARKvue is available as a free app for Chromebook, iOS, and Android devices. We offer a free trial of SPARKvue and Capstone for Windows and Mac. To get the software, go to [pasco.com/downloads](https://www.pasco.com/downloads) or search for **SPARKvue** in your device's app store.

If you have installed the software previously, check that you have the latest update:

SPARKvue

Go to Main Menu  > **Check for Updates**

PASCO Capstone

Go to **Help** > **Check for Updates**.

Check for a firmware update

SPARKvue

1. Press the power button until the lights turn on.
2. Open SPARKvue.
3. Select **Sensor Data** on the Welcome Screen.



4. Select the sensor that matches its device ID. A notification appears if a firmware update is available. Click **Yes** to update the firmware.
5. Close SPARKvue

PASCO Capstone

1. Press and hold the power button until the lights turn on.
2. Open PASCO Capstone.

3. Click **Hardware Setup**.




4. Select the sensor that matches its device ID. A notification appears if a firmware update is available. Click **Yes** to update the firmware.
5. Close Capstone.

Getting started

See the **Getting Started** section of the SPARKvue or PASCO Capstone help for step-by-step instructions on using the Wireless Geiger Counter with the software:

SPARKvue

Software Main Menu  > Help

Online [pasco.com/help/sparkvue](https://www.pasco.com/help/sparkvue)

PASCO Capstone

Software Help > PASCO Capstone Help

Online [pasco.com/help/capstone](https://www.pasco.com/help/capstone)

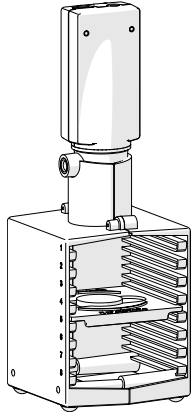
Search for the **bold** terms below to learn more about the following features:

- Analyze the data using the tools in the **Graph** display.
- Vary the G-M tube voltage using the **G-M Tube Voltage** controls for Geiger plateau experiments.
- Collect data long-term by using **remote data logging**.
- Visualize data in a **Histogram** display (Capstone only).

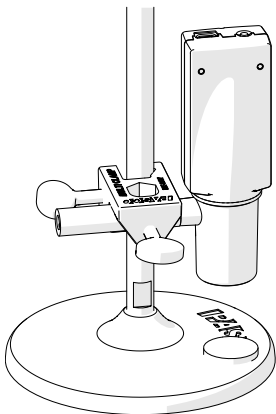
Mounting the sensor

The sensor can be mounted using the following ways:

- Insert the sensor into the Geiger Counter Sample Holder (NU-3344). This option provides superior position control for inverse square law and radiation shielding labs.



- Attach the threaded handle to the sensor, then attach the handle to a rod stand.



Experiment files

Download one of several student-ready activities from the PASCO Experiment Library. Experiments include editable student handouts and teacher notes. Visit [pasco.com/freelabs/PS-3238](https://www.pasco.com/freelabs/PS-3238).


Specifications and accessories

Visit the product page at [pasco.com/product/PS-3238](https://www.pasco.com/product/PS-3238) to view the specifications and explore accessories. You can also download experiment files and support documents from the product page.

Technical Support

Need more help? Our knowledgeable and friendly Technical Support staff is ready to answer your questions or walk you through any issues.

 **Chat** [pasco.com](https://www.pasco.com)

 **Phone** 1-800-772-8700 x1004 (USA)
+1 916 462 8384 (outside USA)

 **Email** support@pasco.com

Warranty

For a description of the product warranty, see the Warranty and Returns page at [pasco.com/legal](https://www.pasco.com/legal).

Trademarks

PASCO and PASCO scientific are trademarks or registered trademarks of PASCO scientific, in the United States and in other countries. All other brands, products, or service names are or may be trademarks or service marks of, and are used to identify, products or services of, their respective owners. For more information, visit [pasco.com/legal](https://www.pasco.com/legal).

Product end-of-life disposal



This electronic product is subject to disposal and recycling regulations that vary by country and region. It is your responsibility to recycle your electronic equipment per your local environmental laws and regulations to ensure that it will be recycled in a manner that protects human health and the environment. To find out where you can drop off your waste equipment for recycling, please contact your local waste recycle or disposal service, or the place where you purchased the product. The European Union WEEE (Waste Electrical and Electronic Equipment) symbol on the product or its packaging indicates that this product must not be disposed of in a standard waste container.

Battery disposal



Batteries contain chemicals that, if released, may affect the environment and human health. Batteries should be collected separately for recycling and recycled at a local hazardous material disposal location adhering to your country and local government regulations. To find out where you can drop off your waste battery for recycling, please contact your local waste disposal service, or the product representative. The battery used in this product is marked with the European Union symbol for waste batteries to indicate the need for the separate collection and recycling of batteries.

FCC statement

This device complies with part 15 of the FCC Rules. Operation is subject to the following two conditions: (1) This device may not cause harmful interference, and (2) this device must accept any interference received, including interference that may cause undesired operation.

CE statement

This device has been tested and found to comply with the essential requirements and other relevant provisions of the applicable EU Directives.