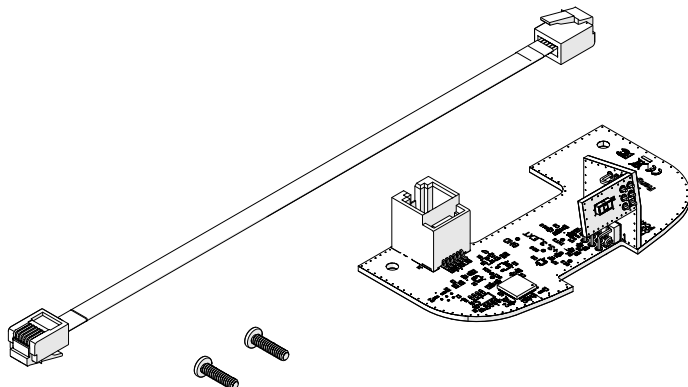


## What's included

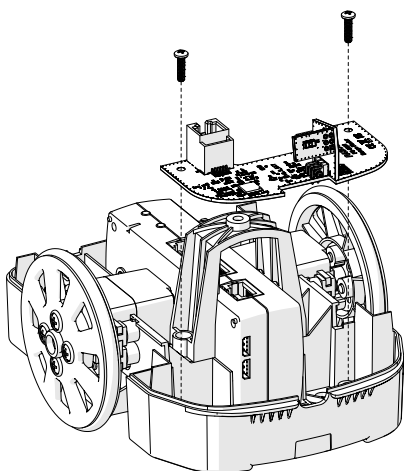


- Range Finder module
- 2× Screws, 4-40×7/15"
- Sensor cable

## Install the range finder

### Required equipment

- //control.Node
- PASCObot Kit





1. Remove the top of the PASCObot body.
2. Place the range finder module in the front compartment of the PASCObot's bottom frame.
3. Install the two screws to secure the range finder module to the frame.
4. Connect the range finder to the //control.Node's Sensor port using the included cable. Push in the plug to each port until you hear a click.
5. Insert two nuts in each compartment in the front of the bot to make it front-heavy.

## Reading the measurements

The range finder can detect objects between 0 and 100 cm. For objects that are farther than 100 cm, the range finder reports a distance of zero. You can view the measurement values in a data display, such as a graph, to monitor the live values.

## Import a sample program

To get started, import a program from the PASCO Code Library, provided in the Code tool.

1. Connect the //control.Node to the software.
2. Open the Code tool .
3. At the top right corner of the Code tool, click import code from PASCO Code Library .
4. Select the PASCObot category.
5. Select a program to import then click OK.

## Download an experiment


Download one of several student-ready activities from the PASCO Experiment Library that use the Range Finder Module. Experiments include editable student handouts and teacher notes. Go to [pasco.com/freelabs/PS-3321](https://pasco.com/freelabs/PS-3321) to access the files.

If you want to explore on your own, check out the SPARKvue and PASCO Capstone help guides to search for specific topics.

 **SPARKvue**

**Software:** Go to the Main Menu  then select Help.

**Online:** Go to [pasco.com/help/sparkvue](https://pasco.com/help/sparkvue).

 **PASCO Capstone**

**Software:** In the menu bar, click Help then select PASCO Capstone Help.

**Online:** Go to [pasco.com/help/capstone](https://pasco.com/help/capstone).

## Specifications and accessories

Visit the product page at [pasco.com/product/PS-3321](https://pasco.com/product/PS-3321) to view the specifications and explore accessories. You can also find experiment files and support documents on the product page.

## Technical Support

Need more help? Our knowledgeable and friendly Technical Support staff is ready to provide assistance with this or any other PASCO product.

Phone (USA)	1-800-772-8700 (Option 4)
Phone (International)	+1 916 462 8384
Online	<a href="https://pasco.com/support">pasco.com/support</a>

## Regulatory information

---

### Warranty, Copyright, and Trademarks

#### Limited Warranty

For a description of the product warranty, see the Warranty and Returns page at [www.pasco.com/legal](http://www.pasco.com/legal).

#### Copyright

This document is copyrighted with all rights reserved. Permission is granted to non-profit educational institutions for reproduction of any part of this manual, providing the reproductions are used only in their laboratories and classrooms, and are not sold for profit. Reproduction under any other circumstances, without the written consent of PASCO scientific, is prohibited.

#### Trademarks

PASCO and PASCO scientific are trademarks or registered trademarks of PASCO scientific, in the United States and/or in other countries. All other brands, products, or service names are or may be trademarks or service marks of, and are used to identify, products or services of, their respective owners. For more information visit [www.pasco.com/legal](http://www.pasco.com/legal).

### Product end of life disposal instructions



This electronic product is subject to disposal and recycling regulations that vary by country and region. It is your responsibility to recycle your electronic equipment per your local environmental laws and regulations to ensure that it will be recycled in a manner that protects human health and the environment. To find out where you can drop off your waste equipment for recycling, please contact your local waste recycle or disposal service, or the place where you purchased the product.

The European Union WEEE (Waste Electronic and Electrical Equipment) symbol on the product or its packaging indicates that this product must not be disposed of in a standard waste container.

### FCC statement

This device complies with part 15 of the FCC Rules. Operation is subject to the following two conditions: (1) This device may not cause harmful interference, and (2) this device must accept any interference received, including interference that may cause undesired operation.

### CE statement

This device has been tested and found to comply with the essential requirements and other relevant provisions of the applicable EU Directives.