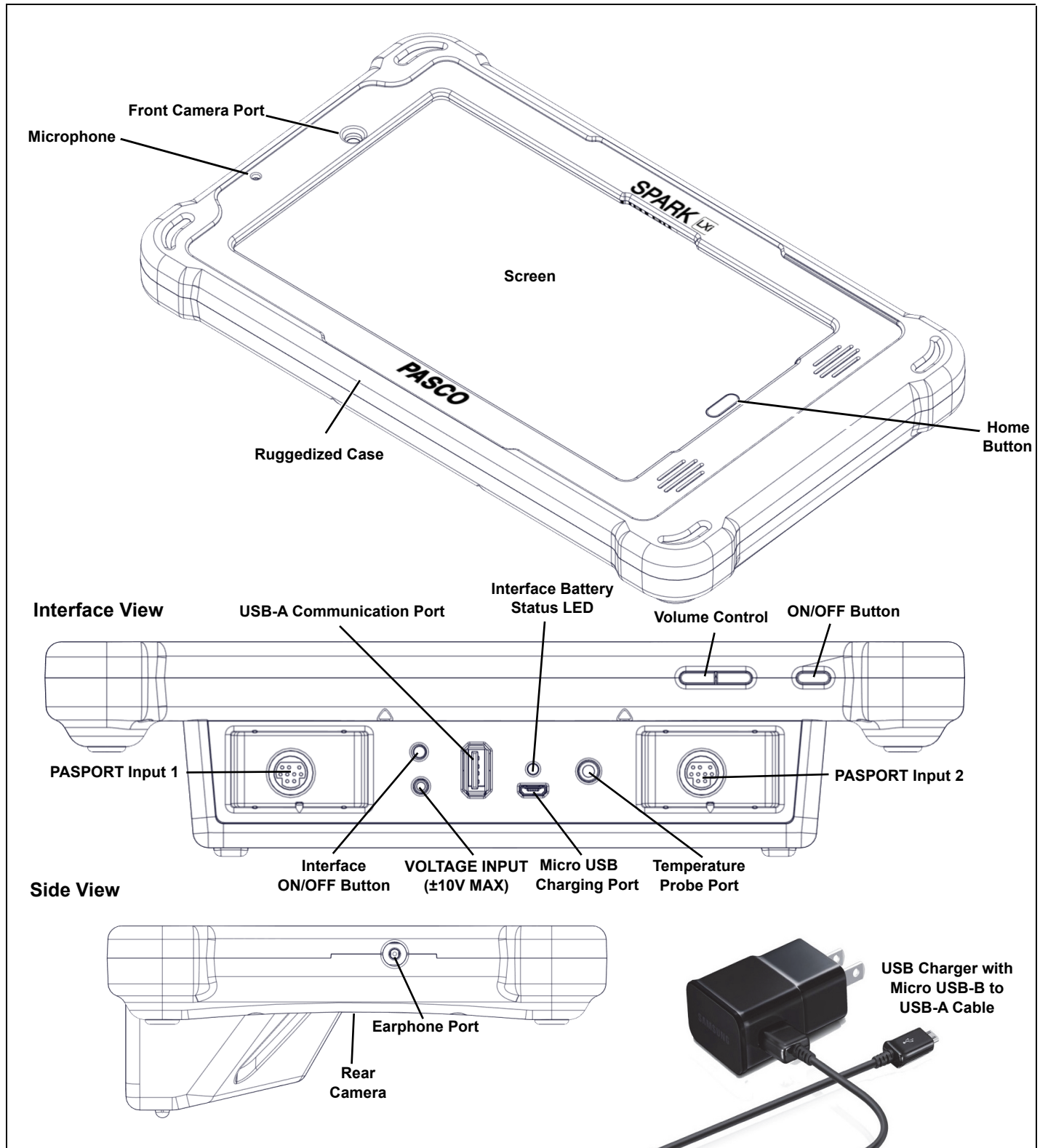


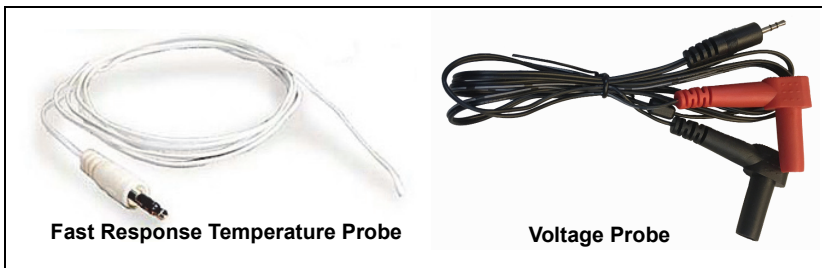
SPARK LXi Datalogger

PS-3600A



What's Included

- SPARK LXi Datalogger (PS-3600A)
- Voltage Probe (PS-2165)
- Fast Response Temperature Probe (PS-2135)
- USB Charger with Micro USB Cable



SPARK LXi Data Collection Software			PASCO App Store
SPARKvue	Spectrometry	MatchGraph!	PASCO App Store

Recommended Items

- Any PASCO Wireless Sensor
- Any PASCO PASPORT Sensor
- PASCO Spectrometer (PS-2600)

Software updates are available from the **PASCO App Store**.

SPARK LXi Datalogger

The SPARK LXi is a combination datalogging device and interface with a ruggedized cover. It blends PASCO probeware with PASCO data collection and analysis software programs: SPARKvue, Spectrometry, and MatchGraph! The SPARK LXi features two PASPORT input ports as well as ports for the included temperature probe and voltage probe. The USB-A Communication Port allows USB devices such as thumb drives to be connected.

See www.pasco.com/SPARKLX for more information

Charging and Power Requirements:

The SPARK LXi screen and interface are powered independently to conserve power when not using the interface.

- **Charging:** To charge both the SPARK LXi screen and the interface, connect the USB charger to the Micro USB port on the interface using the Micro USB cable. Initial charging time may be three hours or longer depending on the power source and the condition of the batteries.

Charging Status	LED Color
Charging	Yellow
Charged	Green
Needs Charging	Red

- **Screen Power and Status:** To turn the screen on, press and hold the screen ON/OFF button until graphics appear on the screen. After a few moments you will see the PASCO SPARK LX/LXi “Home Screen”. To turn the screen off, press and hold the ON/OFF button until the “Power Off” and “Restart” buttons appear and then select the desired option. Battery status for the screen is available in the notification area at the top of the screen, or from **Settings->Device Management->Battery**.

- PASPORT Interface ON/OFF Button and LED Indicator:** To turn the interface on, press the Interface ON/OFF button. To turn the interface off, press and **hold** the ON/OFF button. The interface stays awake when the data collection software is being used, and puts itself to sleep after a period of inactivity.

Desired Outcome	ON/OFF Button Action	LED Behavior
Turn Interface ON	Press the ON/OFF Button	Red->Yellow->Green
Turn Interface OFF	Press and HOLD the ON/OFF Button	Red->OFF

Setting Up the SPARK LX/LXi

Press the Help icon on the Home Screen and refer to the Onboard help system for help with the following topics:



<ul style="list-style-type: none"> Configuring the Desktop 	<ul style="list-style-type: none"> Datalogger's Design and Default Settings
<ul style="list-style-type: none"> PASCO Applications 	<ul style="list-style-type: none"> SPARK LXi Interface

Connecting Sensors



Wireless - Connect to the device wirelessly through the PASCO Data Collection Software.

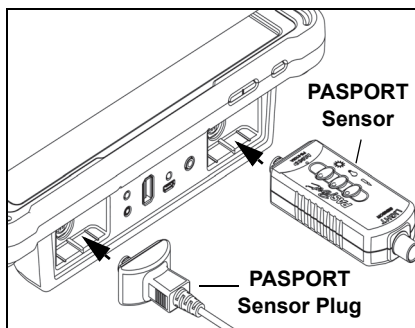


PASPORT - Plug a PASPORT Sensor into one or both of the PASPORT Input Ports. The PASCO software will automatically identify the sensor.



If PASPORT sensors are not detected by the device, check if the interface is on. The LED blinks green when the interface is on.

- Voltage Probe - Plug the Voltage Probe into the Voltage Input Port.
- Fast Response Temperature Probe - Plug the probe into the Temperature Probe Port.



Technical Support

For assistance with any PASCO product, contact PASCO at:

Address:	PASCO scientific 10101 Foothills Blvd. Roseville, CA 95747-7100	Web:	www.pasco.com
Phone:	+1 916 462 8384 (worldwide) 800-772-8700 (U.S.)	Email:	support@pasco.com

The Quick Start Guide may be updated periodically. For the latest revision of this Quick Start Guide, visit the PASCO Web site at

www.pasco.com/manuals

and enter the product number, PS-3600A, in the text window.

Limited Warranty

For a description of the product warranty, see the PASCO catalog. For more information visit www.pasco.com/legal.

Copyright

This PASCO scientific *Quick Start Guide* is copyrighted with all rights reserved. Permission is granted to non-profit educational institutions for reproduction of any part of this manual, providing the reproductions are used only in their laboratories and classrooms, and are not sold for profit. Reproduction under any other circumstances, without the written consent of PASCO scientific, is prohibited. Revised 06/05/2018.

Trademarks

PASCO, PASCO scientific, PASCO Capstone, PASPORT, and SPARKvue are trademarks or registered trademarks of PASCO scientific, in the United States and/or in other countries. All other brands, products, or service names are or may be trademarks or service marks of, and are used to identify, products or services of their respective owners. For more information visit www.pasco.com/legal.

FCC Statement

This Class A digital device complies with part 15 of the FCC Rules. Operation is subject to the following two conditions: (1) This device may not cause harmful interference, and (2) this device must accept any interference received, including interference that may cause undesired operation.

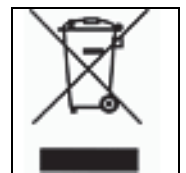
CE Statement

This device has been tested and found to comply with the essential requirements and other relevant provisions of the applicable EU Directives.

Product End of Life Disposal Instructions:

This electronic product is subject to disposal and recycling regulations that vary by country and region. It is your responsibility to recycle your electronic equipment per your local environmental laws and regulations to ensure that it will be recycled in a manner that protects human health and the environment. To find out where you can drop off your waste equipment for recycling, please contact your local waste recycle/disposal service, or the place where you purchased the product.

The European Union WEEE (Waste Electronic and Electrical Equipment) symbol (to the right) and on the product or its packaging indicates that this product **must not** be disposed of in a standard waste container.



Battery Disposal Instructions:

Batteries contain chemicals that, if released, may affect the environment and human health. Batteries should be collected separately for recycling, and recycled at a local hazardous material disposal location adhering to your country and local government regulations. To find out where you can drop off your waste battery for recycling, please contact your local waste disposal service, or the product representative.

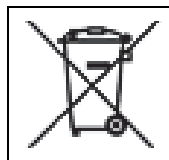
The Lithium Polymer (Li-Poly) rechargeable battery used in the Interface and the Lithium-Ion (Li-Ion) rechargeable battery used in the screen device are marked with the International symbols to indicate the need for the separate collection and recycling of batteries.



Li-Poly



Li-ion



SPARK LXi Blink Codes Decoder

What do the different colored LEDs on my LXi mean?

These blink codes were changed in October of 2018 and differ from the blink codes called out in the original LXi product manual. If there is an issue with the PASPORT interface not connecting to the tablet portion of the LXi the LEDs will start blinking in all three colors. Reboot the PASPORT interface (not the tablet) to allow SPARKvue to detect the interface.

SPARK LXi Blink Codes	Interface Off USB Communication Detected	Interface On USB Communication Detected	Interface On USB Communication Not Detected
USB Charger Disconnected	Off	Green	Green - Red
USB Charger Connected	Amber	Green - Amber	Green - Amber - Red
Low Battery USB Charger Disconnected	Off	Red	Amber - Red