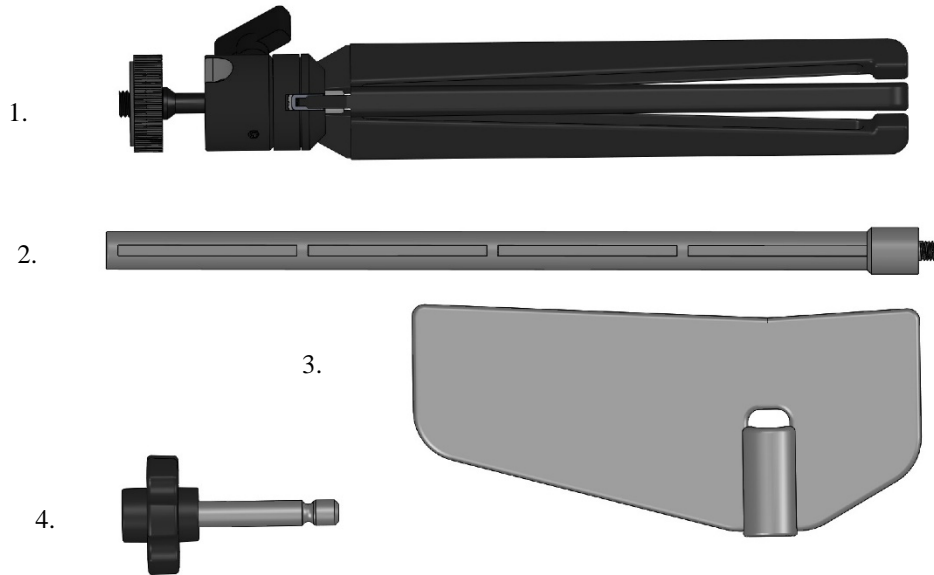


# Wireless Weather Accessories

## PS-3553



### Included Equipment

1. Tripod
2. Rod
3. Vane
4. Pivot Pin

### Additional Equipment Needed

Wireless Weather Sensor	PS-3209
-------------------------	---------

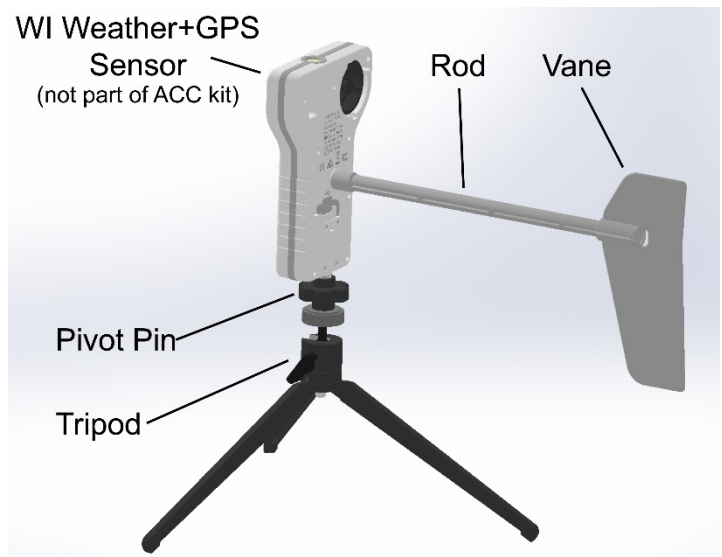
### Introduction

The PS-3553 Wireless Weather Accessories includes hardware used to mount the PS-3209 (Wireless Weather Plus GPS Sensor) to provide a means for the sensor to follow the wind direction while making measurements.

### Set-up

1. Attach the Pivot Pin to the Tripod by screwing the Pin onto the 14-20 threaded rod on the Tripod.
2. Screw the Rod into the PS-3209 Sensor as shown and attach the Vane.

3. Slip the PS-3209 Sensor onto the Pivot pin hole in the bottom of sensor. Insure Sensor assembly rotates freely.



**Wireless Weather Accessories**  
Shown with PS-3209 Sensor (not included)

## Technical Support

For assistance with any PASCO product, contact PASCO at:

Address: PASCO scientific  
10101 Foothills Blvd.  
Roseville, CA 95747-7100

Phone: 916-786-3800 (worldwide)  
800-772-8700 (U.S.)

Web: [www.pasco.com](http://www.pasco.com)

Email: [support@pasco.com](mailto:support@pasco.com)

### Limited Warranty

For a description of the product warranty, see the PASCO catalog.

### Copyright

The PASCO scientific 012-15817A *WI Weather Accessory Instruction Sheet* is copyrighted with all rights reserved. Permission is granted to non-profit educational institutions for reproduction of any part of this manual, providing the reproductions are used only in their laboratories and classrooms, and are not sold for profit. Reproduction under any other circumstances, without the written consent of PASCO scientific, is prohibited.

### Trademarks

PASCO and PASCO scientific are trademarks or registered trademarks of PASCO scientific, in the United States and/or in other countries. All other brands, products, or service names are or may be trademarks or service marks of, and are used to identify, products or services of, their respective owners. For more information visit [www.pasco.com/legal](http://www.pasco.com/legal).

### Product End of Life Disposal Instructions:

This electronic product is subject to disposal and recycling regulations that vary by country and region. It is your responsibility to recycle your electronic equipment per your local environmental laws and regulations to ensure that it will be recycled in a manner that protects human health and the environment. To find out where you can drop off your waste equipment for recycling, please contact your local waste recycle/disposal service, or the place where you purchased the products.



The European Union WEEE (Waste Electronic and Electrical Equipment) symbol (to the right) and on the product or its packaging indicates that this product must not be disposed of in a standard waste container.