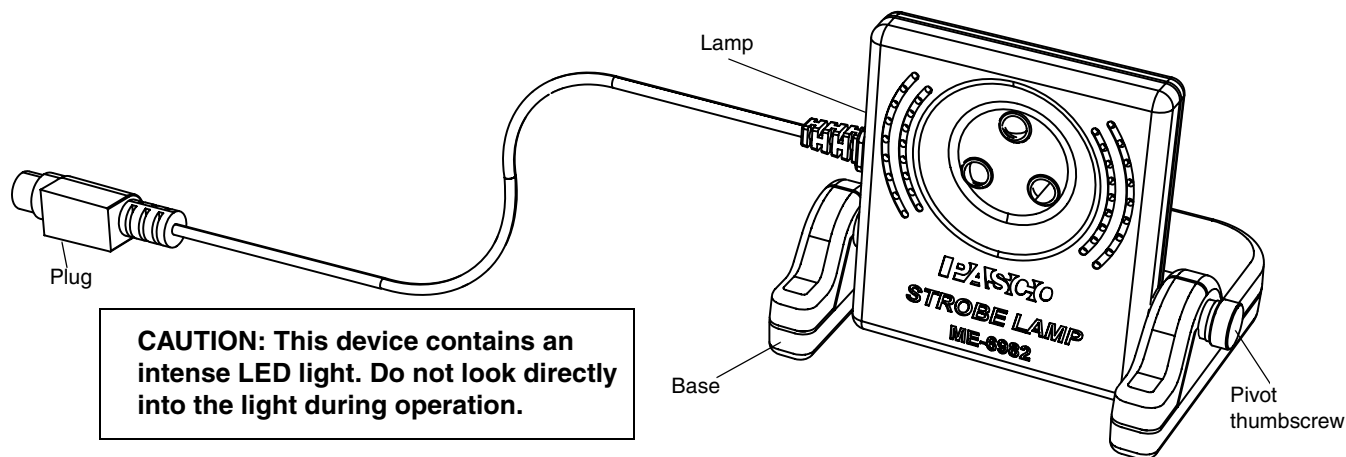


# Strobe Lamp

ME-6982



## Introduction

The PASCO model ME-6982 Strobe Lamp is designed to work with the model ME-6978 Stroboscope. Each Strobe Lamp has three light emitting diodes (LED's) that produce flashes of bright, white light.

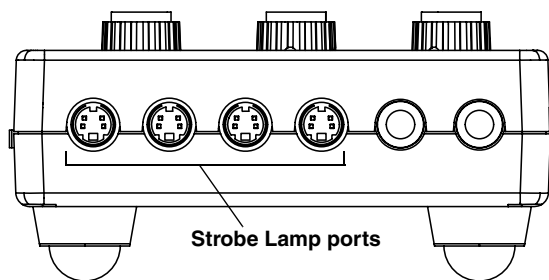


Figure 1: End view of the ME-6978 Stroboscope

Up to four Strobe Lamps can be connected to one Stroboscope.

The Strobe Lamp base allows the lamp to pivot and the pivot thumbscrew can be tightened to hold the lamp at a particular position.

The Strobe Lamp base also has a hole and thumbscrew that allows it to be mounted on a support rod up to 12.5 mm in diameter.

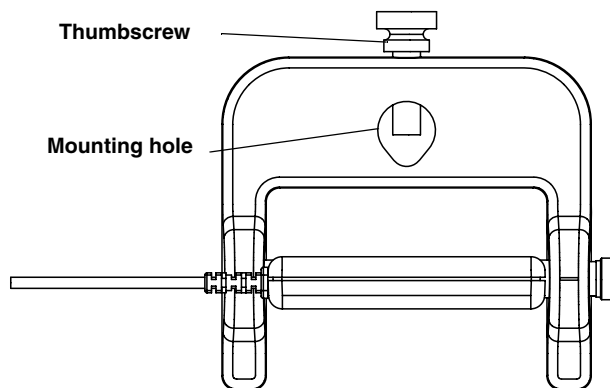


Figure 2: Top view of the ME-6982 Strobe Lamp

## Operation

Connect the Strobe Lamp plug into one of the four ports on the end of the ME-6978 Stroboscope. Tilt the Strobe Lamp into position as needed.

Connect power to the Stroboscope and slide the OFF/ON switch to the ON position. The green light emitting diode (LED) next to the HZ FUNCTION will begin to flash slowly. The default flash rate is 10.0 Hz or 60 RPM.

*Press the LAMP button to start the Strobe Lamp flashing.*

**REMEMBER: Do not look directly at the Strobe Lamp when the LED's are flashing!**

Adjust the COARSE and FINE and BRIGHTNESS control knobs as needed.

*Press the LAMP button again to stop the Strobe Lamp flashing.*

See the instruction sheet for the PASCO ME-6978 Stroboscope for more information about operating the Stroboscope.

See the PASCO catalog or web site ([www.PASCO.com](http://www.PASCO.com)) for more information about the ME-6978 Stroboscope.

## Specifications

Each of the three LED's on the front of the Strobe Lamp produces a minimum peak power of 74 lumens for a total of 222 lumens.

## Technical Support

For assistance with any PASCO product, contact PASCO at:

Address: PASCO scientific  
10101 Foothills Blvd.  
Roseville, CA 95747-7100

Phone: 916-786-3800 (worldwide)  
800-772-8700 (U.S.)

Fax: (916) 786-7565

Web: [www.pasco.com](http://www.pasco.com)

Email: [support@pasco.com](mailto:support@pasco.com)

For more information about the Strobe Lamp and the latest revision of this Instruction Sheet, visit:

[www.pasco.com/go?ME-6982](http://www.pasco.com/go?ME-6982)

**Limited Warranty** For a description of the product warranty, see the PASCO catalog. **Copyright** The PASCO scientific 012-10479A *Strobe Lamp Instruction Sheet* is copyrighted with all rights reserved. Permission is granted to non-profit educational institutions for reproduction of any part of this manual, providing the reproductions are used only in their laboratories and classrooms, and are not sold for profit. Reproduction under any other circumstances, without the written consent of PASCO scientific, is prohibited. **Trademarks** PASCO and PASCO scientific are trademarks or registered trademarks of PASCO scientific, in the United States and/or in other countries. All other brands, products, or service names are or may be trademarks or service marks of, and are used to identify, products or services of, their respective owners. For more information visit [www.pasco.com/legal](http://www.pasco.com/legal).

### Product End of Life Disposal Instructions:

This electronic product is subject to disposal and recycling regulations that vary by country and region. It is your responsibility to recycle your electronic equipment per your local environmental laws and regulations to ensure that it will be recycled in a manner that protects human health and the environment. To find out where you can drop off your waste equipment for recycling, please contact your local waste recycle/disposal service, or the place where you purchased the product.



The European Union WEEE (Waste Electronic and Electrical Equipment) symbol (above) and on the product or its packaging indicates that this product **must not** be disposed of in a standard waste container.