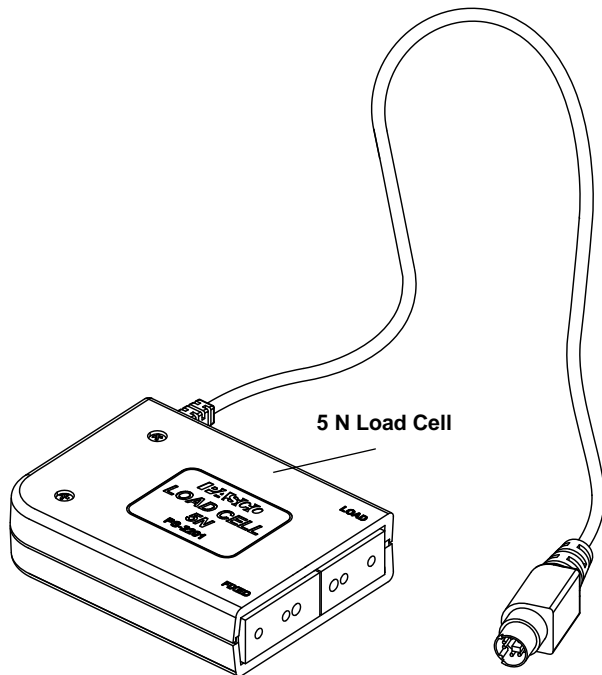


# PASCO Structures System Load Cell, 5 N

PS-2201



### Recommended Equipment

- Load Cell Amplifier (PS-2198) or Dual Load Cell Amplifier (PS-2205)
- PASPORT Interface or SPARK SLS

### Related Equipment

- Complete Structures Set (ME-6989)
- Truss Set (ME-6990)
- Bridge Set (ME-6991)
- Advanced Structures Set (ME-6992)
- Load Cell & Amplifier Set (PS-2199)

See [www.pasco.com](http://www.pasco.com) for details about PASPORT equipment and PASCO Structures System parts and sets.

## Introduction

The Load Cell, 5 N is designed to work with the PASCO Structures System. When connected to a PASCO interface through the PS-2198 Load Cell Amplifier or PS-2205 Dual Load Cell Amplifier,

the Load Cell can measure compression and tension forces in any component of the PASCO Structures System.

For example, the PASCO Structures System includes the ME-6987 Flat Structures Members, ME-6990 Truss Set, ME-6991 Bridge Set, and the ME-6992 Advanced Structures Set.

## About the Load Cell

The PS-2201 Load Cell measures forces ranging from -5 N to +5 N and is wired with a male 6-pin mini-DIN connector for plugging into a Load Cell Amplifier.



Figure 1: The 5N Load Cell has a semi-transparent case

The PS-2198 Load Cell Amplifier supports up to six Load Cells. The PS-2205 Dual Load Cell Amplifier supports two Load Cells. The PS-2199 Load Cell and Amplifier Set includes one Load Cell Amplifier and four 100 N Load Cells.

## Adding Load Cells

To measure the compression and tension forces in individual members, add load cells to any PASCO Structure. Replace a beam with two shorter beams and a load cell.

#5 beam = load cell + two #3 beams

#4 beam = load cell + two #2 beams

#3 beam = load cell + two #1 beams

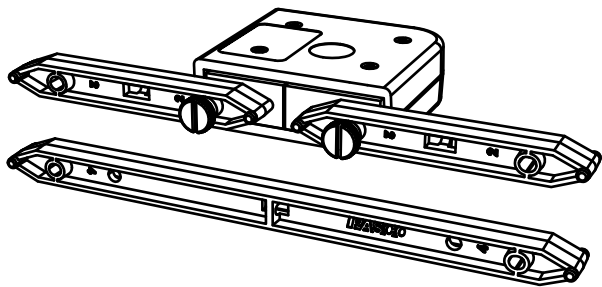


Figure 2: A load cell combined with two #2 beams is the same length as a #4 beam

Use thumbscrews to attach two beams to a load cell as shown in Figure 2.

When using load cells, assemble your structure with the screws loose. This will simplify the analysis by ensuring that the members experience only tension and compression without moments.

Plug the mini-DIN connector at the end of the load cell cable into a port on the Load Cell Amplifier. See the instructions that came with the load cell amplifier for details about how to connect the load cell amplifier to an interface or datalogger and collect data.

### Example: Bridge with Load Cells

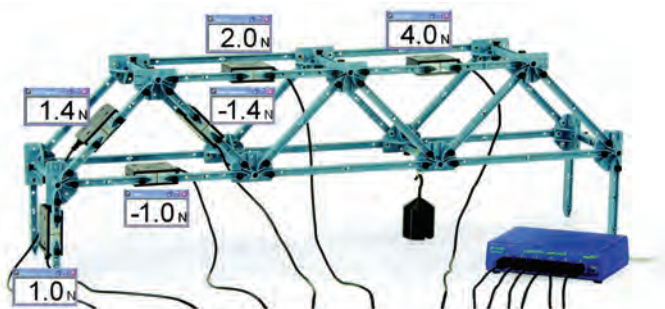


Figure 3: Bridge with load cells

The bridge shown in Figure 3 incorporates six load cells to measure the tension or compression in various members. A hanging mass is used to apply load. The mass is adjusted so that the compression in one of the legs is 1.0 N. Compression is registered as a positive value and tension as a negative value.

If the screws are loose, the theoretical analysis of the bridge can be carried out by assuming that the net force at each node is zero. Thus, the vertical component of compression in the left-most diagonal member must be 1 N (to oppose the force applied by the leg). The horizontal component must also be 1 N since the member is at a 45° angle. The predicted resultant force is:

$$\sqrt{(1.0 \text{ N})^2 + (1.0 \text{ N})^2} = 1.4 \text{ N}$$

The actual measured force confirms the theory.

### Combination of Load Cells

The 5 N Load Cell can be used in combination with other 5 N Load Cells or with 100 N Load Cells (PS-2200).

## Calibration of Load Cells

Load cells are factory calibrated; however, you can recalibrate them in software or on the datalogger. See the documentation for your software or datalogger for instructions.

When calibrating a load cell, it is necessary to apply a known load. Assemble the fixture shown in Figure 4 to support the load cell. Hold or clamp the fixture at the edge of a table and hang a mass from it as shown.

Note that the hanging mass applies tension to the load cell; therefore the known force that you enter into the software or datalogger should be a negative value. For example, if the mass is 0.5 kg, the applied force is -4.9 N.

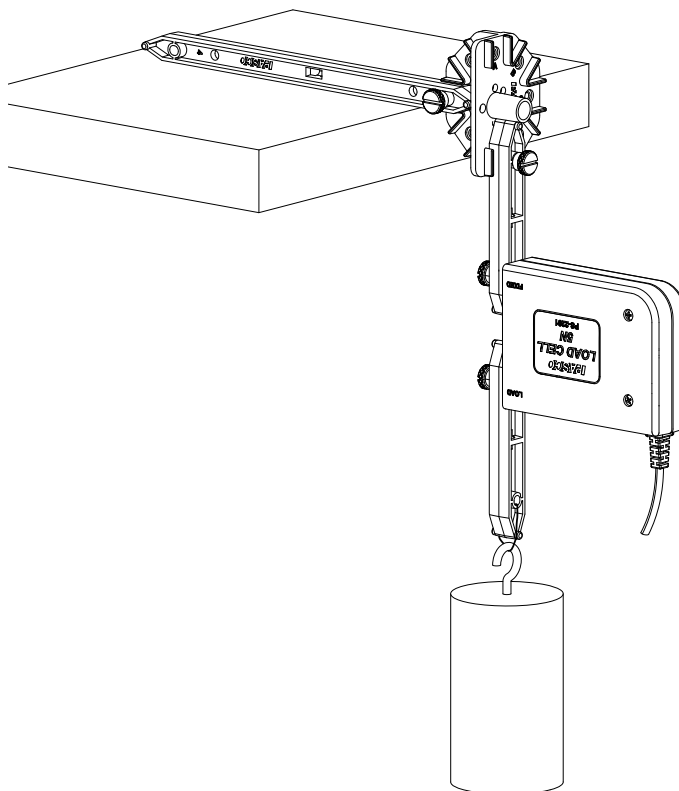
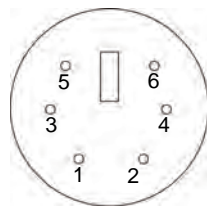


Figure 4: Calibration fixture

## Specifications

<b>Range</b>	-5 N to +5 N
<b>Resolution</b>	0.001 N
<b>Dimensions</b>	5.3 cm by 5.8 cm by 2.0 cm
<b>Length of cable</b>	120 cm
<b>Mass</b>	approximately 100 g

## Pinouts



Pin	Signal
1	+ Strain Gauge Output
2	+ 4.2 V
3	- Strain Gauge Output
4	Ground
5	Range Select 1
6	Range Select 2

## Technical Support

For assistance with any PASCO product, contact PASCO at:

Address: PASCO scientific  
10101 Foothills Blvd.  
Roseville, CA 95747-7100

Phone: 916-786-3800 (worldwide)  
800-772-8700 (U.S.)

Fax: (916) 786-7565

Web: [www.pasco.com](http://www.pasco.com)

Email: [support@pasco.com](mailto:support@pasco.com)

For the latest revision of this Instruction Sheet, visit:

[www.pasco.com/go?PS-2201](http://www.pasco.com/go?PS-2201)

**Limited Warranty** For a description of the product warranty, see the PASCO catalog. **Copyright** The PASCO scientific 012-11097A *Load Cell, 5 N Instruction Sheet* is copyrighted with all rights reserved. Permission is granted to non-profit educational institutions for reproduction of any part of this manual, providing the reproductions are used only in their laboratories and classrooms, and are not sold for profit. Reproduction under any other circumstances, without the written consent of PASCO scientific, is prohibited. **Trademarks** PASCO and PASCO scientific are trademarks or registered trademarks of PASCO scientific, in the United States and/or in other countries. All other brands, products, or service names are or may be trademarks or service marks of, and are used to identify, products or services of, their respective owners. For more information visit [www.pasco.com/legal](http://www.pasco.com/legal).

**Patents Pending** The following PASCO products have patents pending:

ME-6987 Flat Structures Members	PS-2198 Load Cell Amplifier
ME-6990 Truss Set	PS-2199 Load Cell and Amplifier Set
ME-6991 Bridge Set	PS-2200 100 N Load Cell
ME-6992 Advanced Structures Set	PS-2201 5 N Load Cell
ME-6995 Road Bed Spares	PS-2205 Dual Load Cell Amplifier

### Product End of Life Disposal Instructions:

This electronic product is subject to disposal and recycling regulations that vary by country and region. It is your responsibility to recycle your electronic equipment per your local environmental laws and regulations to ensure that it will be recycled in a manner that protects human health and the environment. To find out where you can drop off your waste equipment for recycling, please contact your local waste recycle/disposal service, or the place where you purchased the product.

The European Union WEEE (Waste Electronic and Electrical Equipment) symbol (below) and on the product or its packaging indicates that this product **must not** be disposed of in a standard waste container.

