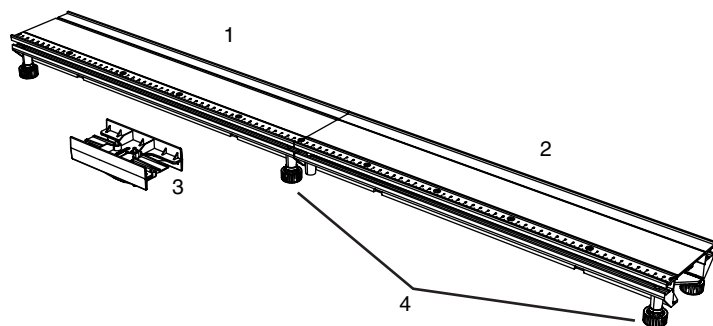


# PATrack

ME-6960



## Included Equipment

1. 0 cm to 50 cm section
2. 50 cm to 100 cm section
3. Connectors (2 pieces)
4. Leveling Feet with locknuts (6 pieces)

## Quick Start

1. Connect the track sections using one of the connector pieces.
2. Tighten the screws on the connector.

## Introduction

The PATrack is designed for use with PASCO carts, dynamics system accessories, and optics carriages.

The model ME-6960 track consists of two sections that can be joined together with the included connector and split apart for storage. Together the two sections form a 1 m track. Each PATrack kit includes an extra connector, allowing any number of tracks to be joined together.

You can use the PATrack on a level surface or elevate one end to make an inclined plane.

## Parts of the PATrack

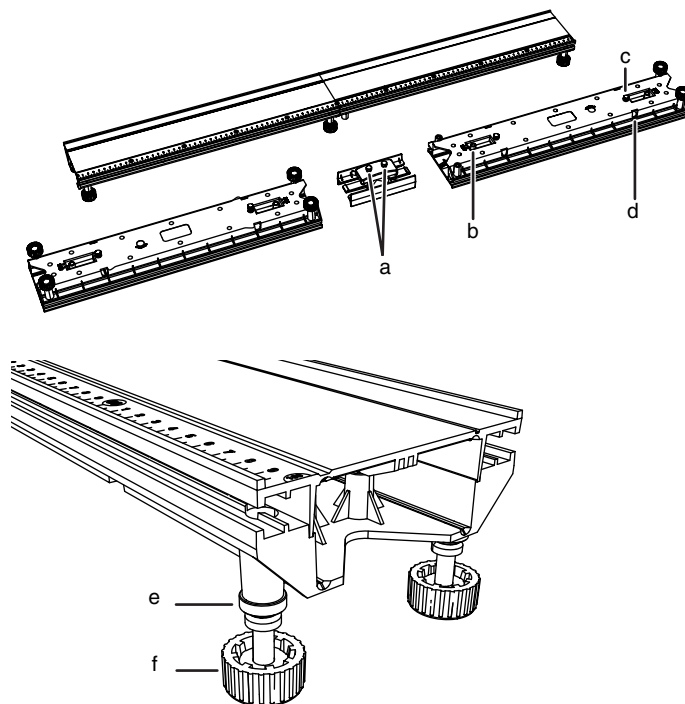


Figure 1

- a. Connector screws
- b. Release tab
- c. Rod clamp screw
- d. Rod clamp hole
- e. lock nut
- f. foot

## Assembly

1. Slide a connector piece into the “50 cm” end of one track section. Push it hard until you hear it snap.

- Slide the other track section onto the connector piece. Push it until it snaps.
- Turn the track upside down and tighten the screws on the connector (part a in figure 1).

## Leveling

- Set the track upright on a level surface.
- Place a cart on the track to test it for level.
- Adjust the feet to make the track straight and level.
- Tighten the locknut of each foot (part e in figure 1).

## Rod Mounting

You can use a horizontal rod to elevate one end of the PAStack to incline it or two horizontal rods to raise the entire track for display. The PAStack accepts rods up to 9.5 mm in diameter (such as PASCO part SA-9242).

Insert a rod into one of the rod clamp holes (figure 2) and secure it by tightening the rod clamp screw (part c in figure 1). Clamp the horizontal rod to a vertical rod.

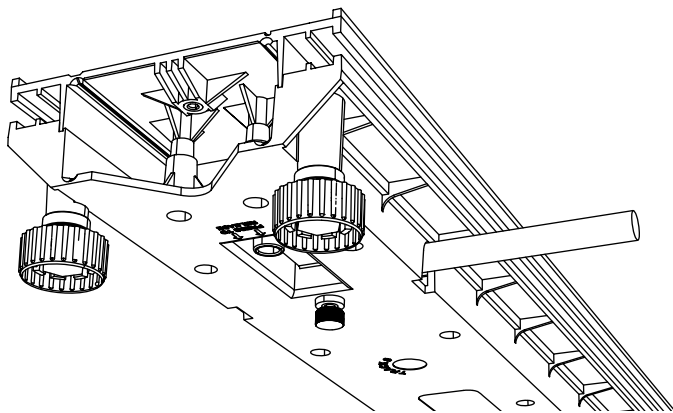


Figure 2

## Disassembly

- Loosen the connector screws.
- Press and hold the release tabs on the bottom of the track (part b in figure 1).
- Pull the track sections apart.

## For Best Results

- Engage and disengage each new connector several times to break it in and make subsequent assembly easier.
- If one end of the PAStack is elevated, ensure that the connector screws are tightened to prevent the track from bowing.
- If you are using multiple PAStacks joined together on a level surface, leave the connector screws loose. This will make each joint slightly flexible and allow you to use the feet to level each section separately.
- To protect your PAStack during storage, disassemble it and keep it in its original box.

## Technical Support

For assistance with any PASCO product, contact PASCO at:

Address: PASCO scientific  
10101 Foothills Blvd.  
Roseville, CA 95747-7100

Phone: 916-786-3800 (worldwide)  
800-772-8700 (U.S.)

Fax: (916) 786-7565

Web: [www.pasco.com](http://www.pasco.com)

Email: [support@pasco.com](mailto:support@pasco.com)

**Limited Warranty** For a description of the product warranty, see the PASCO catalog.

**Copyright** The PASCO scientific 012-10384A *PAStack Instruction Sheet* is copyrighted with all rights reserved. Permission is granted to non-profit educational institutions for reproduction of any part of this manual, providing the reproductions are used only in their laboratories and classrooms, and are not sold for profit. Reproduction under any other circumstances, without the written consent of PASCO scientific, is prohibited.

**Trademarks** PASCO and PASCO scientific are trademarks or registered trademarks of PASCO scientific, in the United States and/or in other countries. All other brands, products, or service names are or may be trademarks or service marks of, and are used to identify, products or services of, their respective owners. For more information visit [www.pasco.com/legal](http://www.pasco.com/legal).