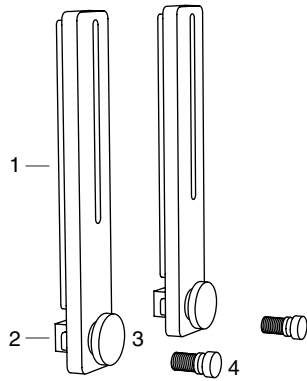


Photogate Brackets

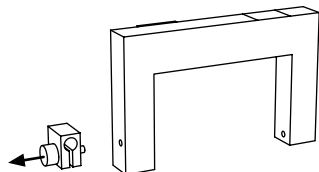
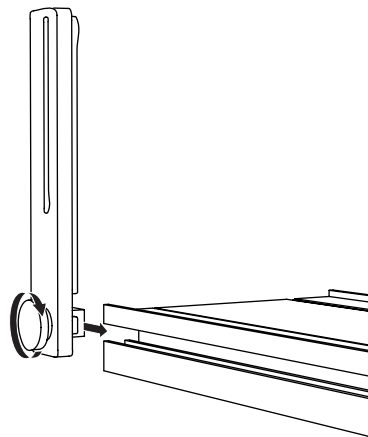
ME-9806



Included Equipment	Replacement Parts
1. Brackets (2 pieces)	ME-9806 (complete set)
2. Square Nuts (2 pieces)	ME-9823 (IDS Spares Kit)
3. Large Thumbscrews, 1/4-20 × 9/16 (2 pieces)	
4. Small Thumbscrews, 6-32 × 3/8, (2 pieces)	

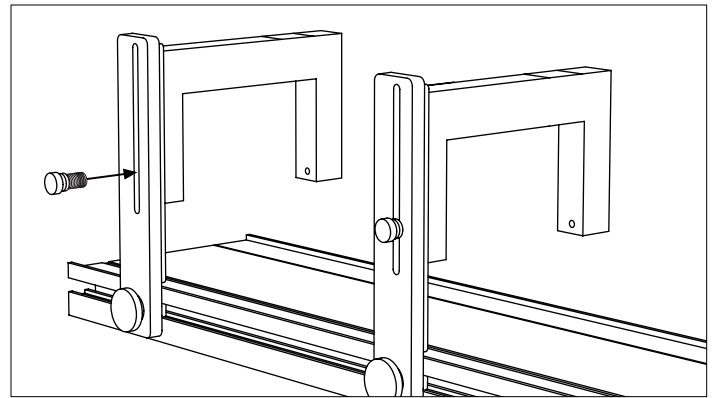
The Photogate Brackets set includes parts for mounting two photogates on a PASCO dynamics track. The brackets attach to the T-slots on the sides of a dynamics track.

- Loosen (but do not remove) the square nut on the thumbscrew.
- Slide the nut into the T-slot at the end of the track.
- Slide the bracket along the track to the desired location.
- Tighten the thumbscrew to secure the bracket.
- Remove the rod-mounting clamp from a photogate.



- Insert a small thumbscrew through the upper slot of the bracket and into the mounting hole in the photogate.

Note: Use the shorter thumbscrew (3/8 inch, 10 mm) included with the brackets, not the longer screw that came with the photogate.



- Adjust the height of the photogate.
- Tighten the thumbscrew to secure the photogate.

Technical Support

For assistance with any PASCO product, contact PASCO at:

Address: PASCO scientific
10101 Foothills Blvd.
Roseville, CA 95747-7100

Phone: 916-786-3800 (worldwide)
800-772-8700 (U.S.)

Fax: (916) 786-7565

Web: www.pasco.com

Email: support@pasco.com

Limited Warranty For a description of the product warranty, see the PASCO catalog. **Copyright** The PASCO scientific 012-10278A *Photogate Brackets Instruction Sheet* is copyrighted with all rights reserved. Permission is granted to non-profit educational institutions for reproduction of any part of this manual, providing the reproductions are used only in their laboratories and classrooms, and are not sold for profit. Reproduction under any other circumstances, without the written consent of PASCO scientific, is prohibited. **Trademarks** PASCO and PASCO scientific are trademarks or registered trademarks of PASCO scientific, in the United States and/or in other countries. For more information visit www.pasco.com/legal.