

**Instruction Sheet
for the PASCO
Model ME-8963**

RMS/GYROSCOPE MOUNTING BRACKET

Introduction

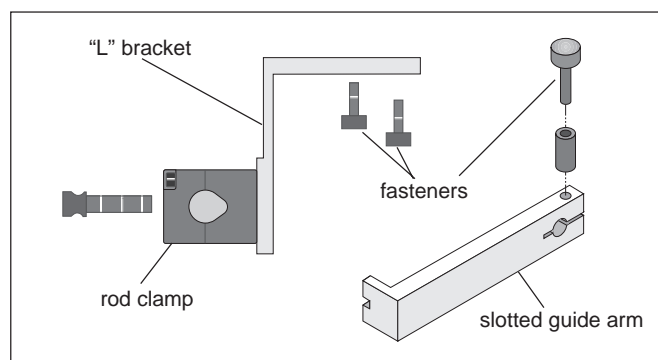


Figure 1

The PASCO ME-8963 RMS/Gyroscope Mounting Bracket attaches the PASCO CI-6538 Rotary Motion Sensor (RMS) to the PASCO ME-8960 Gyroscope so precise position data can be imported into *Science Workshop™*.

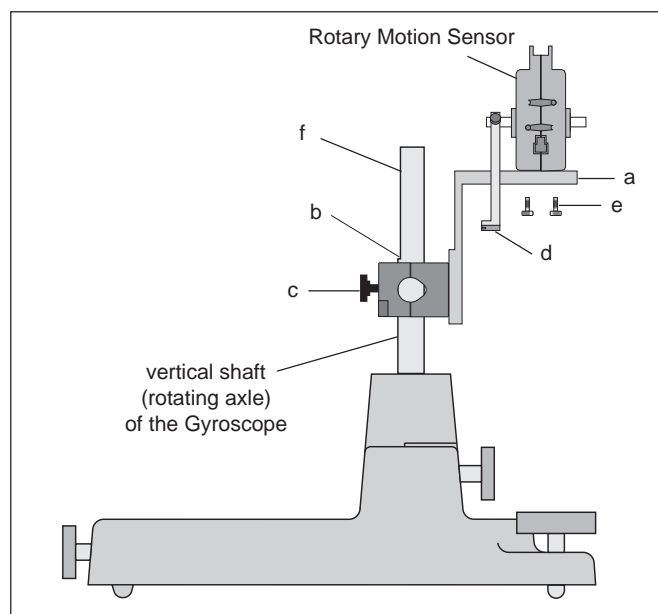


Figure 2

Equipment

The apparatus includes the following equipment

- “L” bracket
- slotted guide arm
- rod clamp

Operation:

- ① Loosen the thumbscrew that secures the gyroscope assembly to the vertical shaft (rotating axle) and lift the gyroscope assembly off the vertical shaft.
- ② Slide the clamp onto the vertical shaft of the Gyroscope, the platform of the bracket facing up, [Figure 2 (a)].
- ③ Position the top of the clamp 1 mm below the flat of the vertical shaft (about 43 mm from the top of the shaft) [Figure 2 (b)]. Position the clamp's thumb screw perpendicular to the flat of the vertical shaft and tighten it [Figure 2 (c)].
- ④ Slide the connecting arm onto the RMS axle, with the forks of the slotted guide arm facing away from the RMS [Figure 2 (d)].
- ⑤ Secure the RMS to the bracket with the two small thumb screws [Figure 2 (e)].
- ⑥ Replace the gyroscope assembly, tightening the thumb screw against the flat of the vertical shaft [Figure 2 (f)].
- ⑦ Fit the prongs of the slotted guide arm around the end of the small rod projecting from the gyroscope axle [Figure 3 (a)]. Tighten the bolt on the slotted guide arm [Figure 3 (b)].
- ⑧ If necessary, make fine adjustments to the position of the bracket to insure that the axle of the RMS is centered on the pivot of the gyroscope axle [Figure 3 (c)].

© 1996 PASCO scientific

This instruction sheet written/edited by: Sunny Bishop

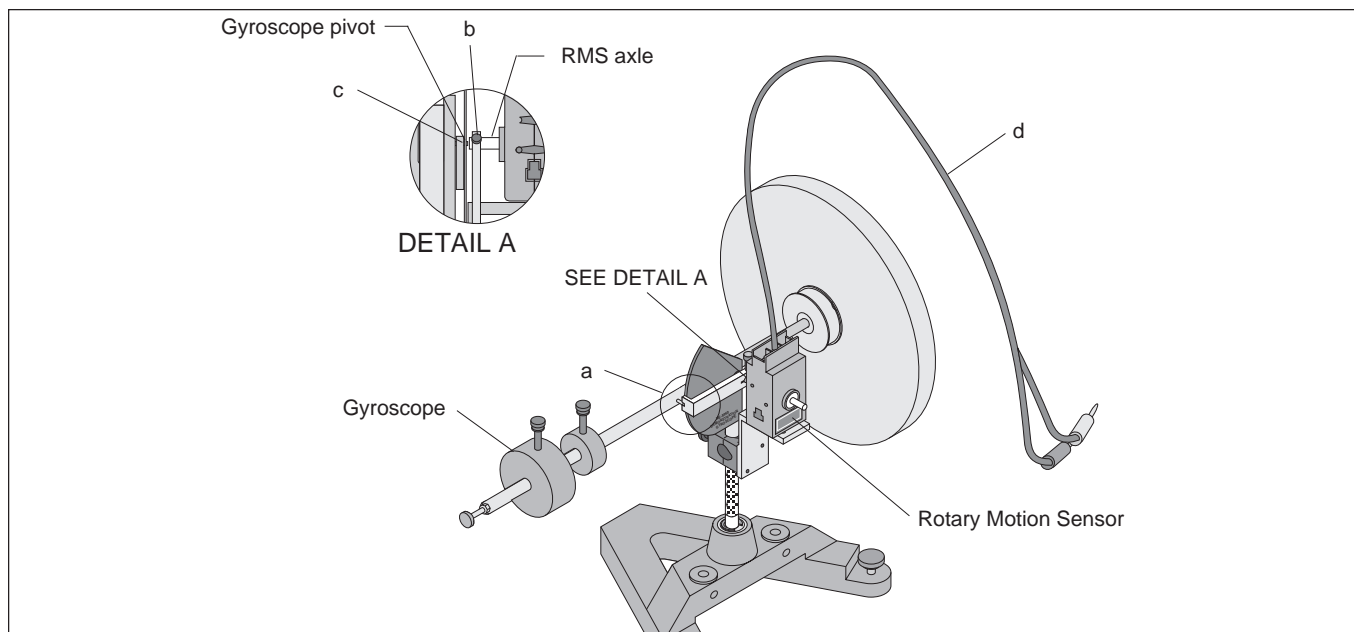


Figure 3

NOTE: Hold the cord of the RMS up out of the way during operation and data acquisition [Figure 3 (d)]. After several rotations of the Gyroscope, the cord will develop a torque that may affect the Gyroscope’s motion; it will be necessary to untwist the cord before continuing.

Limited Warranty

PASCO scientific warrants this product to be free from defects in materials and workmanship for a period of one year from the date of shipment to the customer. PASCO will repair or replace, at its option, any part of the product which is deemed to be defective in material or workmanship. This warranty does not cover damage to the product caused by abuse or improper use. Determination of whether a product failure is the result of a manufacturing defect or improper use by the customer shall be made solely by PASCO scientific. Responsibility for the return of equipment for warranty repair belongs to the customer. Equipment must be properly packed to prevent damage and shipped postage or freight prepaid. (Damage caused by improper packing of the equipment for return shipment will not be covered by the warranty.) Shipping costs for returning the equipment, after repair, will be paid by PASCO scientific.

Equipment Return

Should this product have to be returned to PASCO scientific, for whatever reason, notify PASCO scientific by letter or phone BEFORE returning the product. Upon notification, the return authorization and shipping instructions will be promptly issued.

NOTE: NO EQUIPMENT WILL BE ACCEPTED FOR RETURN WITHOUT AN AUTHORIZATION.

When returning equipment for repair, the units must be packed properly. Carriers will not accept responsibility for damage caused by improper packing. To be certain the unit will not be damaged in shipment, observe the following rules:

- ① The carton must be strong enough for the item shipped.
- ② Make certain there is at least two inches of packing material between any point on the apparatus and the inside walls of the carton.
- ③ Make certain that the packing material can not shift in the box, or become compressed, thus letting the instrument come in contact with the edge of the box.

Address: PASCO scientific
 10101 Foothills Blvd.
 P.O. Box 619011
 Roseville, CA 95747-7100

Phone: (916) 786-3800
 FAX: (916) 786-8905