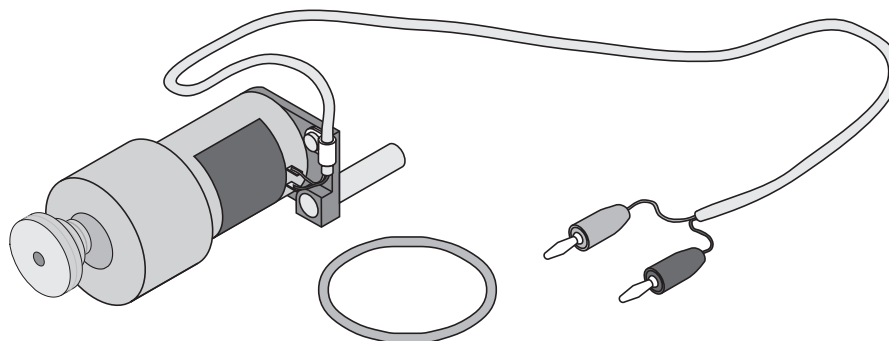


**Instruction Sheet
for the PASCO
Model ME-8955**

ROTATIONAL MOTOR DRIVE



Introduction

The PASCO Model ME-8955 Rotational Motor Drive was designed as an accessory to the Model ME-8951 Rotating Platform. The Rotational Motor Drive can be used to drive experiments using the ME-8952 Centripetal Force Accessory, ME-8956 Coriolis Effect Accessory and ME-8957 Rotational Acceleration Tank. The Rotational Motor Drive can be powered by a DC Voltage Supply (SF-9582), a Function Generator (PI-9598) or the Power Amplifier (CI-6552).

Equipment

The ME-8955 Rotational Motor Drive includes:

- Rotational Motor Drive assembly with 3-step pulley and banana plugs for connection to a DC voltage power supply.
- Pyrathane drive belt.

Specifications

Motor: 15 Volt DC maximum
.2 Amp minimum - 1.5 Amp maximum

Base Spindle Speed: 10-600 rpm

◆ **CAUTION:** To prevent damage or injury, clear the area around your Rotating Platform before connecting the motor to the power supply.

Setup

- ① Insert the motor Mounting Rod into one of the accessory mounting holes on the Rotating Platform base. Note orientation of Rotational Motor Drive. See Figure 1.
- ② Loop the drive belt around the Rotating Platform vertical pulley and one of the three Motor Pulleys. See inset of Figure 1.
- ③ Twist the motor in its mounting hole until the belt is taut. Tighten the Accessory Mount Thumbscrew. Note orientation of Rotational Motor Drive. See Figure 2.
- ④ Set up your experiment.
- ⑤ Connect the motor to a DC Power Supply.

◆ **NOTE:** The motor will continue to spin for several seconds after the power has been disconnected.

Replacement Parts

Item	Part Number
Pyrathane Belt	638-020

© 1995 PASCO scientific

This instruction sheet written/edited by:

Mary Ellen Niedzielski

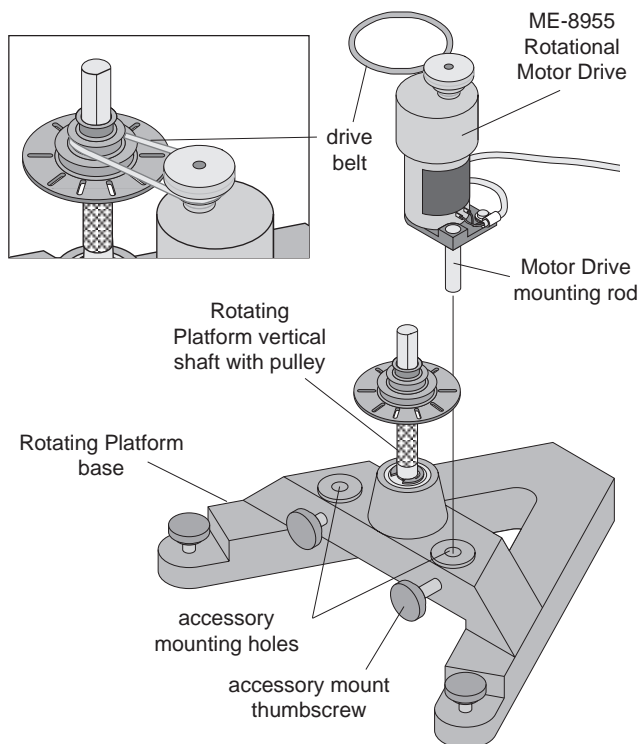


Figure 1: Rotational Motor Drive Assembly

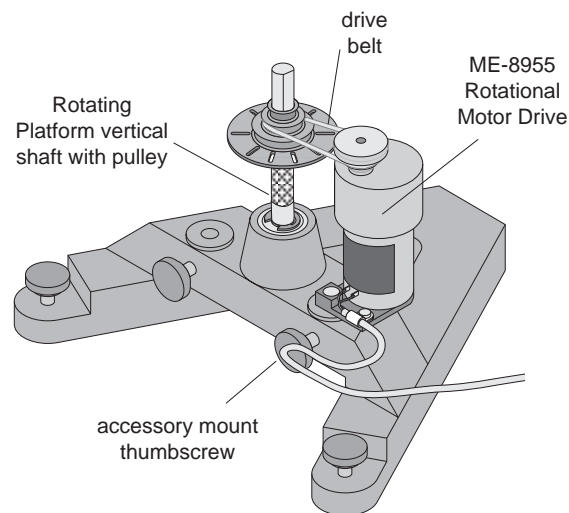


Figure 2: Rotational Motor Drive Setup

Limited Warranty

PASCO scientific warrants this product to be free from defects in materials and workmanship for a period of one year from the date of shipment to the customer. PASCO will repair or replace, at its option, any part of the product which is deemed to be defective in material or workmanship. This warranty does not cover damage to the product caused by abuse or improper use. Determination of whether a product failure is the result of a manufacturing defect or improper use by the customer shall be made solely by PASCO scientific. Responsibility for the return of equipment for warranty repair belongs to the customer. Equipment must be properly packed to prevent damage and shipped postage or freight prepaid. (Damage caused by improper packing of the equipment for return shipment will not be covered by the warranty.) Shipping costs for returning the equipment, after repair, will be paid by PASCO scientific.

Equipment Return

Should this product have to be returned to PASCO scientific, for whatever reason, notify PASCO scientific by letter or phone **BEFORE** returning the product. Upon notification, the return authorization and shipping instructions will be promptly issued.

◆ NOTE: NO EQUIPMENT WILL BE ACCEPTED FOR RETURN WITHOUT AN AUTHORIZATION.

When returning equipment for repair, the units must be packed properly. Carriers will not accept responsibility for damage caused by improper packing. To be certain the unit will not be damaged in shipment, observe the following rules:

- ① The carton must be strong enough for the item shipped.
- ② Make certain there is at least two inches of packing material between any point on the apparatus and the inside walls of the carton.
- ③ Make certain that the packing material can not shift in the box, or become compressed, thus letting the instrument come in contact with the edge of the box.