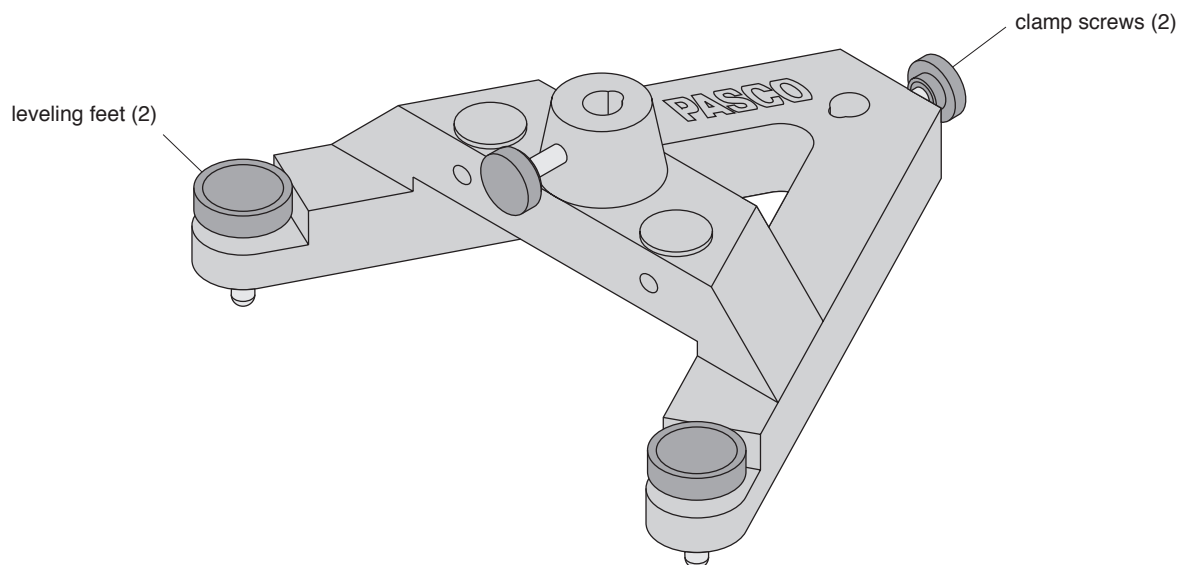


**Instruction Sheet
for the PASCO
Model ME-8735**

Large Rod Stand



Introduction

The PASCO Model ME-8735 Large Rod Stand can be used whenever a sturdy base for your vertical support rod is needed.

Rods with an outside diameter of 1/4" to 1/2" (6.5mm to 13mm) may be placed in either the central mounting hole and/or the alternate mounting hole at the peak of the stand. They can be secured to the stand with either of the two clamp screws provided.

The Large Rod Stand can be leveled by turning the knobs on the leveling feet.

When using the Large Rod Stand keep the following in mind:

- ① The mass of the Large Rod Stand is approximately 9 lbs. (4 kg). If dropped, the Large Rod Stand may be damaged, cause damage to other equipment or cause injury. To prevent personal injury and damage, always carry the Large Rod Stand with a firm grip and try to setup the Large Rod Stand away from the edge of any table or work bench whenever possible.
- ② To prevent the Large Rod Stand from tipping or toppling over during experiments, be reasonable as you setup experiments. Always be sure the Large Rod Stand is able to rest firmly when any possible motion of your experiments occur.

© 1993 PASCO scientific

This instruction sheet written/edited by: Eric Ayars

Equipment Included

One ME-8735 Large Rod Stand complete with two leveling feet and two clamp screws.

Limited Warranty

PASCO scientific warrants this product to be free from defects in materials and workmanship for a period of one year from the date of shipment to the customer. PASCO will repair or replace, at its option, any part of the product which is deemed to be defective in material or workmanship. This warranty does not cover damage to the product caused by abuse or improper use. Determination of whether a product failure is the result of a manufacturing defect or improper use by the customer shall be made solely by PASCO scientific. Responsibility for the return of equipment for warranty repair belongs to the customer. Equipment must be properly packed to prevent damage and shipped postage or freight prepaid. (Damage caused by improper packing of the equipment for return shipment will not be covered by the warranty.) Shipping costs for returning the equipment, after repair, will be paid by PASCO scientific.

Equipment Return

Should the product have to be returned to PASCO scientific for any reason, notify PASCO scientific by letter, phone, or fax BEFORE returning the product. Upon notification, the return authorization and shipping instructions will be promptly issued.

► **NOTE:** NO EQUIPMENT WILL BE ACCEPTED FOR RETURN WITHOUT AN AUTHORIZATION FROM PASCO.

When returning equipment for repair, the units must be packed properly. Carriers will not accept responsibility for damage caused by improper packing. To be certain the unit will not be damaged in shipment, observe the following rules:

- ① The packing carton must be strong enough for the item shipped.
- ② Make certain there are at least two inches of packing material between any point on the apparatus and the inside walls of the carton.
- ③ Make certain that the packing material cannot shift in the box or become compressed, allowing the instrument come in contact with the packing carton.

Address: PASCO scientific
10101 Foothills Blvd.
Roseville, CA 95747-7100

Phone: (916) 786-3800
FAX: (916) 786-3292
email: techsupp@pasco.com
web: www.pasco.com