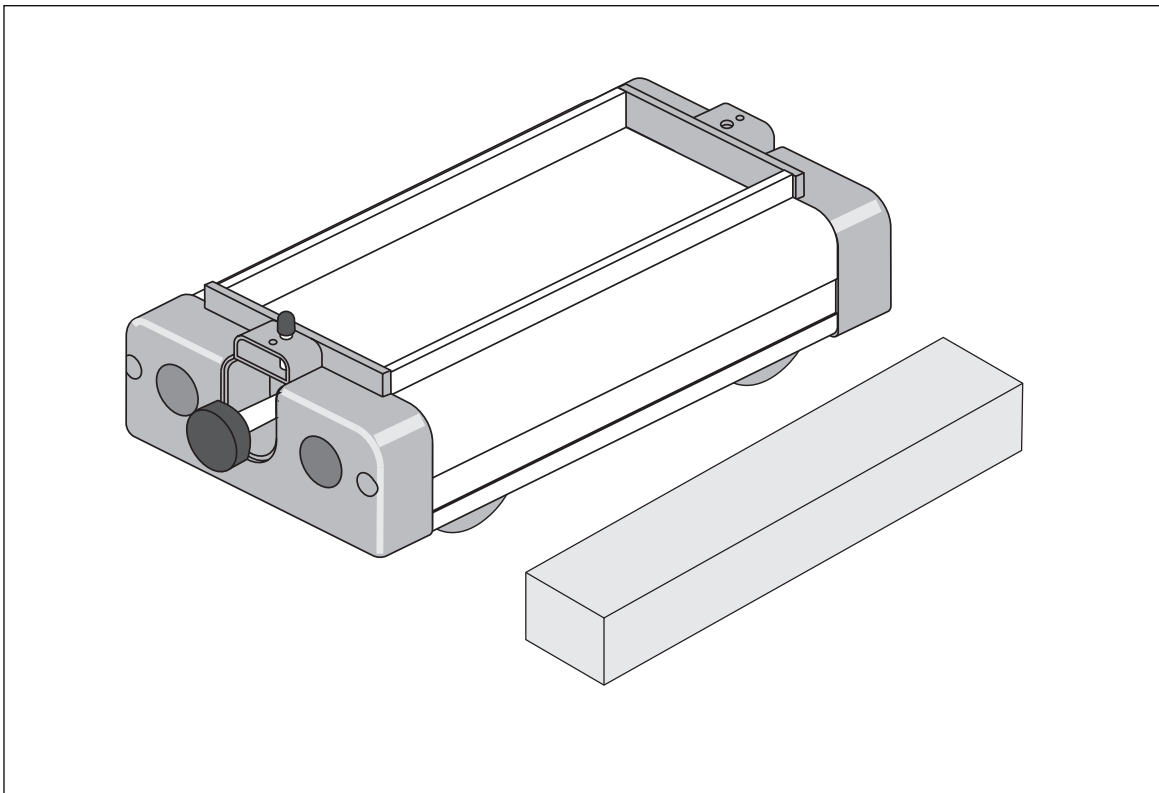


***Instruction Manual and
Experiment Guide for
the PASCO scientific
Model ME-9430***

012-04840E

Dynamics Cart with Mass



Copyright, Warranty and Equipment Return

Please—Feel free to duplicate this manual subject to the copyright restrictions below.

Copyright Notice

The PASCO scientific *Model ME-9430 Dynamics Cart with Mass Manual* is copyrighted and all rights reserved. However, permission is granted to non-profit educational institutions for reproduction of any part of this manual, providing the reproductions are used only for their laboratories and are not sold for profit. Reproduction under any other circumstances, without the written consent of PASCO scientific, is prohibited.

Limited Warranty

PASCO scientific warrants this product to be free from defects in materials and workmanship for a period of one year from the date of shipment to the customer. PASCO will repair or replace, at its option, any part of the product which is deemed to be defective in material or workmanship. This warranty does not cover damage to the product caused by abuse or improper use. Determination of whether a product failure is the result of a manufacturing defect or improper use by the customer shall be made solely by PASCO scientific. Responsibility for the return of equipment for warranty repair belongs to the customer. Equipment must be properly packed to prevent damage and shipped postage or freight prepaid. (Damage caused by improper packing of the equipment for return shipment will not be covered by the warranty.) Shipping costs for returning the equipment, after repair, will be paid by PASCO scientific.

Credits

This manual authored by: Scott K. Perry

This manual edited by: Dave Griffith

Equipment Return

If this product requires return to PASCO scientific, for whatever reason, notify PASCO scientific by letter or phone BEFORE returning the product. Upon notification, the return authorization and shipping instructions will be promptly issued.

NOTE: NO EQUIPMENT WILL BE ACCEPTED FOR RETURN WITHOUT AN AUTHORIZATION.

When returning equipment for repair, the units must be properly packed. Carriers will not accept responsibility for damage caused by improper packing. To be certain the unit will not be damaged in shipment, observe the following rules:

1. The carton must be strong enough for the item shipped.
2. Make certain there is at least two inches of packing material between any point on the apparatus and the inside walls of the carton.
3. Make certain that the packing material can not shift in the box, or become compressed, thus letting the instrument come in contact with the edge of the box.

Address: PASCO scientific
10101 Foothills Blvd.
Roseville, CA 95678-9011

Phone: (916) 786-3800
FAX: (916) 786-3292
Email: techsupp@pasco.com
Web: www.pasco.com

Table of Contents

Section	Page
Copyright, Warranty, Equipment Return, and Credits	i
Introduction	1
Equipment	1
Experiment 1: Kinematics (Average vs. Instantaneous Velocities)	3
Experiment 2: Coefficient of Friction	5
Experiment 3: Newton's Second Law (Predicting Accelerations)	7
Experiment 4: Cart Calibration (Measuring the Spring Constant)	11
Experiment 5: Rackets, Bats and "Sweet Spots"	15
Experiment 6: Sliding Friction and Conservation of Energy	19
Appendix (Replacing Parts)	23

Introduction

The PASCO Model ME-9430 Dynamics Cart with Mass performs high quality motion experiments through its low-friction design.

The PASCO Dynamics Cart has several excellent features:

- An extremely low friction ball-bearing design provides smooth motion.
- A built-in spring plunger, activated by a convenient trigger (button) located on the front end cap, with three positions of launching amplitude, enables the cart to be launched without using additional apparatus.
- A unique suspension system allows the wheels to collapse inside the body of the cart to prevent damage to the internal components of the cart caused by being dropped or other misuse (such as the cart being used as a roller skate).
- Rugged construction on the cart-body and end-caps prevents damage to the cart and the environment during high-impact situations.
- Convenient holes located at the top of the end cap on each end of the Dynamics Cart facilitate the use of string, springs, etc..
- Hook and loop fasteners on the front of each Dynamics Cart enable the user to perform inelastic collision experiments without using additional apparatus.
- The mass of the Dynamics Cart is approximately 500g. The additional mass also has an approximate mass of 500g.

NOTE: For best results, measure the mass of the cart and mass bar with an accurate balance or scale.

- Other features include: rounded corners on molded plastic end caps for durability, a tray on top of the cart for application of additional mass, and the ability of the carts to be stacked.

While performing experiments, you may find that you get better results by making the surface over which the cart rolls more uniform and clean. One way that this can be achieved is by taping a long piece of butcher paper to the surface on which the cart rolls.

The spring plunger of the Dynamics Cart has three cocking positions. Determine the one that gives you a range that fits your situation best, taking into account the limitations of space. Most experiments require a range of at least 2 meters or more. To cock the spring plunger, push the plunger in, and then push the plunger upward slightly to allow one of the notches on the plunger bar to “catch” on the edge of the small metal bar at the top of the hole.



Practice launching the Dynamics Cart by placing the cart on the floor with its cocked plunger against a wall or a secured brick.

NOTE:

1. Before performing experiments with the Dynamics Cart and Mass, they should be calibrated to insure accurate results from your experiments. It is suggested to perform Experiment #2 before Experiment #5 and #4 before #6.
2. To ensure that you do not give the cart an initial velocity, other than that supplied by the spring plunger, release the trigger by tapping it with a rod or stick using a flat edge.
3. Rolling distance can be shortened by adding more mass to the cart.
4. For even less friction use, 1/4 inch plate glass as surface for the Dynamics Cart.

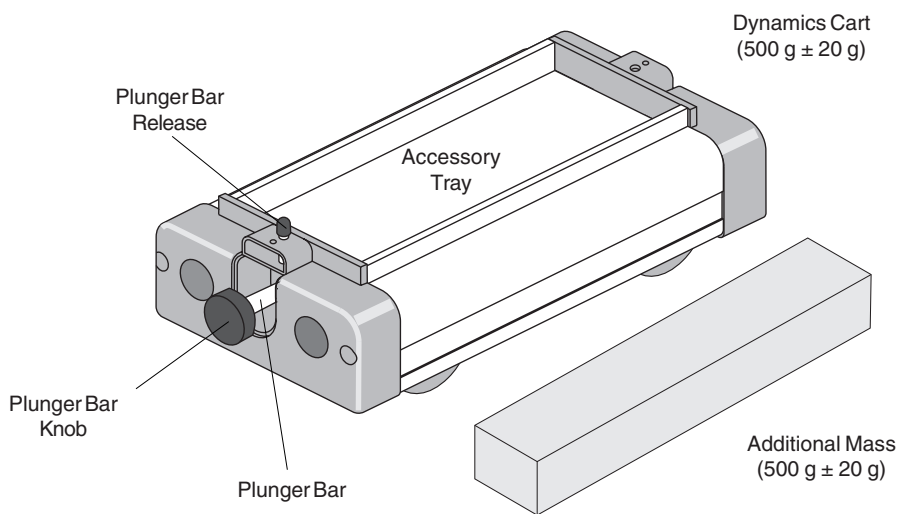
Equipment

The ME-9430 Dynamics Cart with Mass includes the following:

- (1) Dynamics Cart
- (1) 500g Mass
- Instruction Manual/Experiments Guide

Additional Equipment Required:

- A spool of thread
- Masses, such as PASCO's Slotted Mass Set (SE-8704)
- A pulley and clamp, such as PASCO's Super Pulley with Clamp (ME-9448) or Super Pulley (ME-9450) used with Model ME-9376A Universal Table Clamp and Model SA-9242 Pulley Mounting Rod
- Metric Ruler, such as PASCO's Metric Measuring Tape (SE-8712) and 30cm/12in. Ruler (SE-8731)
- Stopwatch, such as PASCO's Digital Stopwatch (SE-8702)
- Mass balance, such as PASCO's Triple-Beam Balance (SE-8723)
- A friction block that can fit in the cart's accessory tray (i.e. PASCO part number 003-04708)



Experiment 1: Kinematics **(Average vs. Instantaneous Velocities)**

EQUIPMENT NEEDED:

- Dynamics Cart (ME-9430)
- Metric tape (SE-8712)
- Stopwatch (SE-8702)

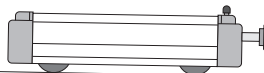


Figure 1.1

Purpose

In this lab, the Dynamics Cart will be used to investigate one dimensional accelerated motion. You will launch the cart over the floor using the built-in spring plunger. The cart will “decelerate” over the floor under the combined action of rolling friction and floor slope. You will be able to establish whether or not the acceleration of the cart is constant. This will be done by initially assuming a constant acceleration and then by examining the results to see if they are consistent with this assumption.

Theory

The cart will be allowed to roll to a stop. The distance covered, **D**, and the total elapsed time, **T**, from launch to stop will be measured and recorded. The average velocity over this interval is given by:

$$v_{av} = \frac{D}{T} \quad (\text{EQN-1})$$

If the acceleration of the cart is constant as it rolls to a stop over the floor, then the initial instantaneous velocity of the cart at the final moment of launch is given by:

$$v_0 = 2v_{av} = \frac{2D}{T} \quad (\text{EQN-2})$$

And the value of the acceleration would be given by:

$$a = \frac{\Delta v}{\Delta t} = \frac{0 - v_0}{T} = -\frac{2D}{T^2} \quad (\text{EQN-3})$$

If the acceleration and v_0 are known, then the time, t_1 , required to cover the distance (d) to some intermediate point (i.e. short of the final stopping point!) can be calculated by applying the quadratic formula to:

$$d = v_0 t_1 + 1/2 a t_1^2 \quad (\text{EQN-4})$$

Calculated values of t_1 will be compared with directly measured values. The extent to which the calculated values agree with the directly measured values is an indication of the constancy of the acceleration of the cart.

Note your theoretical values in Table 1.1.

Procedure

1. Once you have roughly determined the range of the cart, clearly mark a distance, d , that is about half way out from the start. Measure this distance and record it at the top of Table 1.1.
2. Using a stopwatch with a lap timer and metric tape, you can determine t_1 , T and D for each launch. Practice this step a few times before you start recording data.

NOTE: To eliminate reaction time errors, have the person who launches the cart also be the timer!

3. Launch the cart and record the data described in the previous step for six trials. To cock the spring plunger, push the plunger in, and then push the plunger slightly upward to allow one of the notches on the plunger bar to “catch” on the edge of the small metal bar at the top of the hole. (NOTE: If the timer feels that a distraction interfered with the measurement, don't count that trial.) Record your best trials in Table 1.1.
4. Using the equations described in the Theory section and the data recorded in the table, do the calculations needed to complete the table.

Data Analysis

$$d = \text{_____ cm}$$

Table 1.1

Trial	Experiment					Theory	% Diff.
	t_1 (sec)	T (sec)	D (cm)	v_o (cm/s)	a (cm/s ²)	t_1 (sec)	
1							
2							
3							
4							
5							
6							

Questions

1. Is there a systematic difference between the experimental and calculated values of t_1 ? If so, suggest possible factors that would account for this difference.
2. Can you think of a simple follow-up experiment that would allow you to determine how much the cart's “deceleration” was affected by floor slope?

Experiment 2: Coefficient of Friction

EQUIPMENT NEEDED:

- Dynamics Cart (ME-9430)
- Metric tape (SE-8712)
- Stopwatch (SE-8702)

Purpose

In this lab, the Dynamics Cart will be launched over the floor using the on-board spring launcher. The cart will “decelerate” over the floor under the combined action of rolling friction and the average floor slope. To determine both the coefficient of rolling friction μ_r and θ , the small angle at which the floor is inclined, two separate experiments must be done. (Recall that to determine the value of two unknowns, you must have two equations.)



Figure 2.1

Theory

The cart will be launched several times in one direction, and then it will be launched several times along the same course, but in the opposite direction. For example, if the first few runs are toward the east, then the next few runs will be toward the west (See Figure 2.1). In the direction which is slightly down-slope, the acceleration of the cart is given by:

$$\mathbf{a_1 = + g\sin\theta - \mu_r g \quad (EQN-1) \text{ (since } \cos\theta = 1)}$$

And the acceleration in the direction that is slightly up-slope will be:

$$\mathbf{a_2 = - g\sin\theta - \mu_r g \quad (EQN-2)}$$

Numerical values for these accelerations can be determined by measuring both the distance \mathbf{d} that the cart rolls before stopping and the corresponding time \mathbf{t} . Given these values, the acceleration can be determined from:

$$\mathbf{a = \frac{2d}{t^2} \quad (EQN-3)}$$

Having obtained numerical values for $\mathbf{a_1}$ and $\mathbf{a_2}$, EQN-1 and EQN-2 can be solved simultaneously for μ_r and θ .

Procedure

1. Place the cart in its starting position and then launch it. To cock the spring plunger, push the plunger in, and then push the plunger upward slightly to allow one of the notches on the plunger bar to “catch” on the edge of the small metal bar at the top of the hole. Using a stopwatch and metric tape, determine the range d and the total time spent rolling t . Record these in Table 2.1.
2. Repeat step 1 six times for each direction and enter your results in Table 2.1.
3. Using **EQN-3**, compute the accelerations corresponding to your data and an average acceleration for each of the two directions.
4. Using the results of step 3, determine μ_r and θ by solving for the two unknowns algebraically.

Table 2.1

Trial	First Direction		
	d (cm)	t (sec)	a ($\frac{\text{cm}}{\text{s}^2}$)
1			
2			
3			
4			
5			
6			

Trial	Second Direction		
	d (cm)	t (sec)	a ($\frac{\text{cm}}{\text{s}^2}$)
1			
2			
3			
4			
5			
6			

Average Acceleration = _____ $\frac{\text{cm}}{\text{s}^2}$

Average Acceleration = _____ $\frac{\text{cm}}{\text{s}^2}$

Data Analysis

Coefficient of rolling friction = _____ Floor Angle = _____

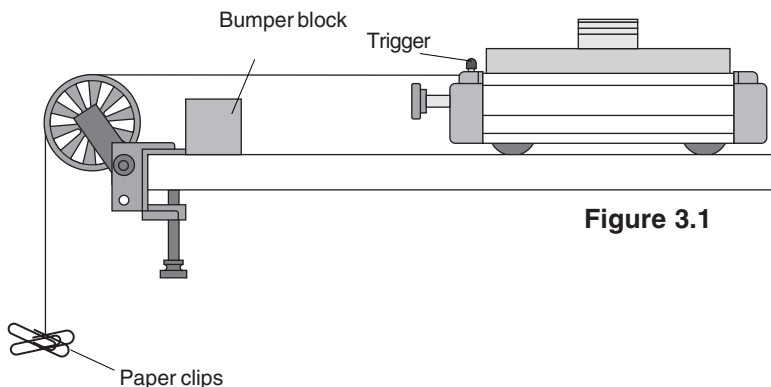
Questions

1. Can you think of another way to determine the acceleration of the cart? If you have time try it!
2. How large is the effect of floor slope compared to that of rolling friction?

Experiment 3: Newton's Second Law (Predicting Accelerations)

EQUIPMENT NEEDED:

- Dynamics Cart (ME-9430)
- Pulley and pulley clamp (ME-9448)
- Mass set (SE-8704)
- Stopwatch (SE-8702)
- String
- Paper clips
- Block (to act as bumper)
- Balance (SE-8723 or equiv.)



Purpose

In this lab, a small mass m will be connected to the Dynamics Cart by a string as shown in Figure 3.1. The string will pass over a pulley at the table's edge so that as the mass falls the cart will be accelerated over the table's surface. As long as the string is not too elastic and there is no slack in it, both the falling mass and the Dynamics Cart will have the same acceleration. The resulting acceleration of this system will be determined experimentally, and this value will be compared to the acceleration predicted by Newton's Second Law.

Theory

The cart will be released from rest and allowed to accelerate over a distance d . Using a stopwatch, you will determine how long it takes, on average, for the cart to move through the distance d . An experimental value for the cart's acceleration a can be determined from:

$$d = \frac{1}{2} at^2 \quad \text{which leads to:} \quad a = \frac{2d}{t^2} \quad (\text{Experimental Value})$$

Assuming that the tabletop is truly horizontal (i.e. level), Newton's Second Law ($F = ma$) predicts that the acceleration of this system will be:

$$a = \frac{F_{\text{net}}}{M_{\text{TOTAL}}} \quad \text{or} \quad a = \left(\frac{m}{M_{\text{TOTAL}}} \right) g \quad (\text{Theoretical Value})$$

Procedure

1. Set up the pulley, cart, and a bumper of some sort to prevent the cart from hitting the pulley at the end of its run. Add the following masses to the bed of the cart: 10 g, 50 g, 500 g and two 20 gram masses.
2. Carefully level the table until the cart has no particular tendency to drift or accelerate in either direction along its run.
3. Put a loop in one end of the string and place this loop over the spring-release trigger on the

Dynamics Cart. Drape the string over the pulley. Adjust the pulley so the string is level.

4. Adjust the length of the string so that the longest arrangement of masses that you intend to use will not hit the floor before the cart has reached the end of its run. Put a loop in this end of the string.

NOTE: The cart's acceleration falls to zero when the falling mass hits the floor.

5. Hang enough paper clips onto the dangling loop in the string until the cart will just continue to move without apparent acceleration when barely nudged. This small added mass will compensate for friction in the system and will be ignored in the following calculations. The paper clips will remain attached to the loop throughout the experiment!
6. Move a 10 gram mass from the bed of the cart to the hanging loop, and pull the cart back to a clearly marked starting point. Determine the distance d that the cart will move from the starting point to the bumper block and record this distance at the top of Table 3.1.

NOTE: The total mass of the system will remain constant throughout the experiment.

7. Practice releasing the cart, being careful not to give it any push or pull as you do so. The best way to do this is to press your finger into the table in front of the cart, thereby blocking its movement. Quickly pull your finger away in the direction that the cart wants to move. At the instant you pull your finger away, start your stopwatch. Stop your stopwatch at the instant the cart arrives at the bumper. To eliminate reaction time errors, have the person who releases the cart also do the timing!
8. Determine the average time for the cart to move through the distance (d) having been released from rest. Record the average of the four time trials in which you have the most confidence in Table 3.1. Repeat for all of the masses given in the data table.
9. Excluding the pulley, determine the total mass of your system, M_{Total} (cart, added masses, string) and record at the top of Table 3.1. (It will be close to 1100 grams, but you might want to check it on a balance.)
10. Fill in the table using your data and the equations given in the Theory section.

Data Analysis

$$d = \text{_____ cm} \quad M_{\text{TOTAL}} = \text{_____ grams}$$

Table 3.1

Trial	m (grams)	Average time (sec.)	$a_{\text{exp}} \frac{\text{cm}}{\text{s}^2}$	$a_{\text{Th}} \frac{\text{cm}}{\text{s}^2}$	% Diff.
1	10				
2	20				
3	30				
4	40				
5	50				
6	60				
7	70				
8	80				

Questions

1. Can you think of any systematic errors that would effect your results? Explain how each would skew your results.

Notes:

Experiment 4: Cart Calibration (Measuring the Spring Constant)

EQUIPMENT NEEDED:

- Dynamics Cart (ME-9430)
- Mass set (SE-8704)
- Pan for holding masses
- Balance (SE-8723 or equiv.)
- 500 g mass
- Stopwatch (SE-8702)
- 15 cm/6 in ruler (SE-8730)

Purpose

The Dynamics Cart has a spring plunger, which can be used to produce relatively elastic collisions and provide a reproducible launch velocity.

Theory

For this and following experiments, you will find the spring constant k of the cart's spring plunger. As compressional forces F are applied to the spring, the spring will compress a distance x which is measured with respect to its uncompressed equilibrium position. If F vs. x is plotted on graph paper, the spring constant is given by the slope of the graph as:

$$k = \Delta F / \Delta x \quad (\text{EQN-1})$$

Once k is known, you can predict the launch velocity v_0 by using conservation of energy, since the elastic potential energy stored in the spring is converted into kinetic energy at the time of launch. The launch velocity can be found from:

$$\frac{1}{2} m v_0^2 = \frac{1}{2} k x_0^2 \quad (\text{EQN-2})$$

which leads to:

$$v_0 = x_0 \sqrt{\frac{k}{m}} \quad (\text{EQN-3})$$

This predicted launch velocity can be checked experimentally by measuring the total rolling distance d on a horizontal surface and the corresponding time t for given launch conditions. This leads to:

$$v_0 = 2 \frac{d}{t} \quad (\text{EQN-4})$$

(Here it is assumed that the acceleration of the cart is constant, so that the initial velocity of the cart at the moment of launch is twice the average velocity of the cart over its whole run.)

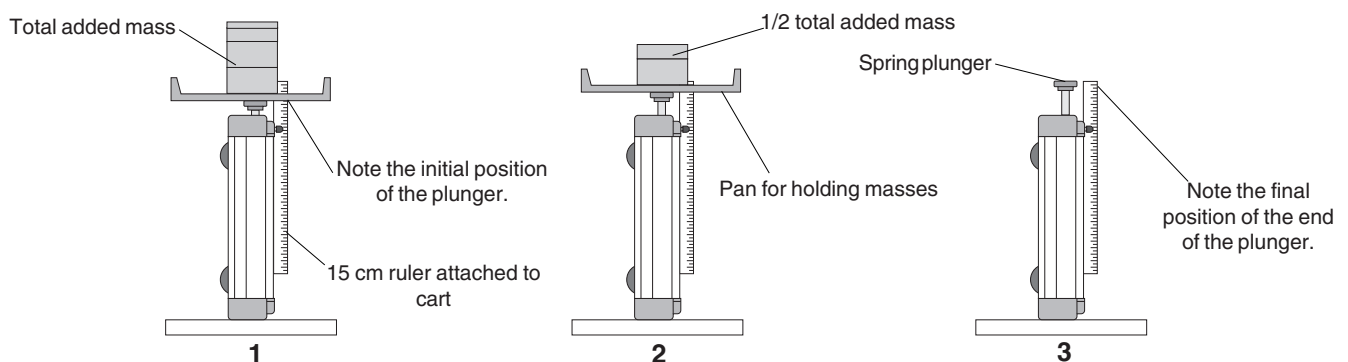


Figure 4.1

Procedure

1. Stand the Dynamics Cart on its end so that the spring plunger is aimed up, as shown in Figure 4.1. Using masking tape or rubber bands, fix a ruler to the cart and adjust it so that the 0 cm mark on the ruler lines up with the upper surface of the plunger. Take care to avoid parallax errors!
2. Carefully add enough mass to the top of the plunger so that it is nearly fully depressed. Record this mass and the corresponding compression x (initial position) of the spring in Table 4.1.
3. Remove approximately one quarter of the mass used in step 2. Record the new mass and x values in Table 4.1.
4. Repeat step 3 until no mass remains on the plunger.
5. Plot a graph of **F versus x** using your data and determine the slope of the best line through your data points. This slope is the spring constant for your cart. Show your slope calculations on the graph and record **k** below.
6. Determine the mass of the cart using a mass balance and record this value below.
7. Using **EQN-3** and your values for **m**, **x_0** (i.e. the compression of the cocked spring) and **k**, predict the launch velocity of your cart and record this below.
8. Cock the spring plunger to the value of **x_0** that you have chosen; then place the cart in its starting position and launch it. Using a stopwatch and a meter stick, determine the average range **d** and the average total time spent rolling **t**. Record these below.

NOTE: To avoid reaction time errors, the person who launches the cart should also time the cart's motion.

9. Using **EQN-4**, determine the observed value of **v_0** and compare it with the predicted value.

Data and Analysis

Mass of cart = _____ kg

$k = \frac{\text{N}}{\text{m}}$ $x_0 = \text{_____ m}$

Predicted value of launch velocity $v_0 = \frac{\text{m}}{\text{s}}$

Average **d** = _____ m Average **t** = _____ sec

Observed value of the launch velocity $v_0 = \frac{\text{m}}{\text{s}}$

Percent (%) difference between observed and expected values of $v_0 = \text{_____}$

Table 4.1

Trial	m (kg)	F (= mg) (newtons)	x (meters)
1			
2			
3			
4			
5			
6			
7			
8			

Notes:

Experiment 5: Rackets, Bats and "Sweet Spots"

EQUIPMENT NEEDED:

- Dynamics Cart (ME-9430)
- Mass set (SE-8704)
- Metric tape (SE-8712)
- Meter stick or a long rod
- Long horizontal table or board (3/4' x 1' x 8')

Purpose

When a batter or tennis player strikes a ball, a portion of the rotational kinetic energy of the bat or racket is transferred to the ball. In a somewhat oversimplified picture, the motion of the bat or racket can be thought of as a simple rotation about a pivot, which is located near its end and close to the batter's wrists. The portion of the bat's original kinetic energy that is transferred to the ball depends on the distance y between the point of impact and the pivot point. The position on the bat corresponding to the maximum energy transfer is called a "sweet-spot." We will call this maximum energy the sweet-spot (**SS1**).

NOTE: For simplicity, it is assumed that the collisions are perfectly elastic.

Theory

As any batter can tell you; if you hit the ball at a certain point on the bat, there will be no shock, or impulse, transferred to your hands! This "sweet-spot" is generally located at a different position than **SS1** and is called the "percussion point." We will call this zero-impulse sweet-spot **SS2**. For a given "bat" and pivot, the position of **SS2** can be found from:

$$y_{SS2} = \frac{I}{m y_{cm}} \quad (\text{EQN-1})$$

where I is the rotational inertia of the bat for the corresponding pivot, m is the total mass of the bat, and y_{cm} is the distance from the pivot to the center of mass of the bat. (e.g. If a uniform rod of length L is pivoted about an end-point, **SS2** is located at $0.67L$ from the pivot.)

The positions of both **SS1** and **SS2** can be found theoretically, or by using the Sweet-Spot computer program (see page 18 for details). The position of **SS2** can be found experimentally using the PASCO Force Transducer or, roughly, by actually hitting a ball at a variety of positions on the bat and noting where the least shock to your wrists occurs. In this experiment, a method for determining the location of **SS1** is described.

Using a meter stick or rod as a bat (see Figure 5.1), the Dynamics Cart can play the role of a ball. By observing how far the cart rolls after impact, the relative, or even absolute energy transfer can be determined for various values of y . In this manner, **SS1** can be found.

If you have already done the experiment to determine the coefficient of rolling friction for your cart for the same surface that you will be using in this experiment, you can determine the kinetic energy of the cart at the moment after impact since:

$$\frac{1}{2} m v^2 = \mu m g x \quad (\text{EQN-2})$$

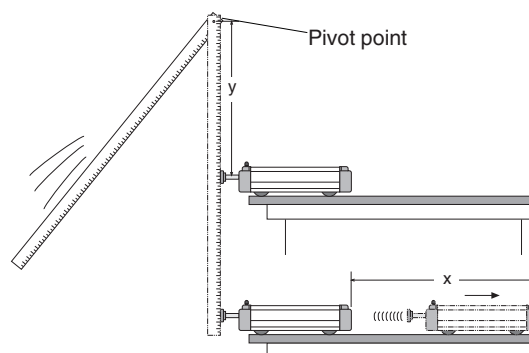


Figure 5.1

Procedure

1. Set up the system as shown in Figure 5.1. Position the cart so that its plunger hangs over the edge of the table several centimeters.

NOTE: You will need a long, horizontal table or board for this experiment. A 3/4 inch by 1 foot by 8 foot plywood board is recommended.

2. Arrange to have a stop of some sort to insure that you always use the same pull-back angle for the hanging meter-stick.
3. Pull the meter-stick or rod back to the pull-back angle that you have chosen, and release it, allowing it to strike the cart plunger. Record the corresponding values of y and x in Table 5.1.
4. Repeat step 3 four times for each value of y , changing it from roughly 10 to 90 cm in 10 cm increments.
5. Compute the average value of x for each value of y .
6. By interpolation, determine the location of **SS1** from your data and record it below Table 5.1.
7. Using **EQN-1**, compute the location of **SS2** and record it below Table 5.1.
8. If time permits, repeat the above after either re-positioning the pivot (i.e. “choking up”) or adding 100 grams or so at some point on the stick.

NOTE: This would add a little realism to the experiment, since neither a bat nor a tennis racket is uniform!

Data and Analysis

Table 5.1

Trial	y (cm)	x (cm)	Average x (cm)	Optional μmgx (joules)
1	10	_____		
2	20	_____		
3	30	_____		
4	40	_____		
5	50	_____		
6	60	_____		
7	70	_____		
8	80	_____		

y-position of SS1 = _____ cm

y-position of SS2 = _____ cm

Questions

1. Is it possible to construct a “Super-bat” for which both **SS1** and **SS2** coincide? If so, what changes would have to occur to the uniform rod to bring **SS1** and **SS2** closer together? (You might use the Sweet-Spot computer program to help you answer this!)
2. What assumptions have we made in analyzing this system? How do they affect our results?

“Sweet Spot” Computer Program

The following is a listing of the “Sweet Spot” computer program written by Scott K. Perry of American River College, Sacramento, CA., using Quickbasic 4.5.

```

REM Program: SWEET SPOTS and PERCUSSION
POINTS (Fixed Pivot)
REM (Version: 15DEC91)
CLS
LOCATE 1, 1
INPUT "What pullback angle will you be using for this
experiment (deg.)"; theta
INPUT "What is the mass of your meter-stick 'bat'
(kg); Ms

g = 9.8: Mc = .5: L = 1: theta = theta / 57.3
COLOR 15

Begin:
CLS
LOCATE 1, 1

INPUT "How far from the center-of-mass is the pivot
located (m)"; S
INPUT "How large is the load mass (kg)"; m
IF m = 0 GOTO Skip
INPUT " How far is the load mass from the pivot (m)";
y
Skip:

I = (1 / 12) * Ms * L ^ 2 + Ms * S ^ 2 + m * y ^ 2
PE = (Ms * S + m * y) * (1 - COS(theta)) * g

Wo = SQR(2 * PE / I)

h = (1 + 2 * (y / L) * (m / Ms)) * (1 - COS(theta)) * L
/ 2

```

```

PRINT: PRINT
COLOR 14
PRINT "Y-Impact (m)"; TAB(16); "Cart-Speed (m/
s)"; TAB(35); "Omega (rad/sec)"; TAB(54); "Im-
pulse at Pivot (N*sec)"
COLOR 15
PRINT
FOR k = 1 TO 9

r = k / 10
a = Mc / 2 + (Mc * r) ^ 2 / (2 * I)
b = -Mc * Wo * r
c = -PE + (1 / 2) * I * Wo ^ 2

v = (-b + SQR(b ^ 2 - 4 * a * c)) / (2 * a)
w = (I * Wo - Mc * r * v) / I

DeltaP = Mc * v + Ms * w * L / 2 - Ms * Wo * L / 2
v = INT(1000 * v + .5) / 1000
w = INT(1000 * w + .5) / 1000

DeltaP = INT(100 * DeltaP + .5) / 100

PRINT TAB(5); r; TAB(20); v; TAB(39); w;
TAB(60); DeltaP
NEXT

PRINT: PRINT
INPUT "Would you like to input different values "; a$
IF a$ <> "N" and a$ <> "n" GOTO Begin
END

```

Experiment 6: Sliding Friction and Conservation of Energy

EQUIPMENT NEEDED:

- | | |
|---|------------------------------|
| – Dynamics Cart (ME-9430) | – Stopwatch (SE-8702) |
| – Metric tape (SE-8731) | – Brick or block of wood |
| – Long board that can be used as a ramp | – Friction Block (003-04708) |
| – Protractor | |

Purpose

In this lab, the Dynamics Cart will be launched down a ramp, as shown in Figure 6.1, while riding on a friction block. The initial elastic potential energy and gravitational potential energy of the cart are converted to thermal energy as the cart slides to a stop. The thermal energy generated on the surfaces is the same as the work done against sliding friction.

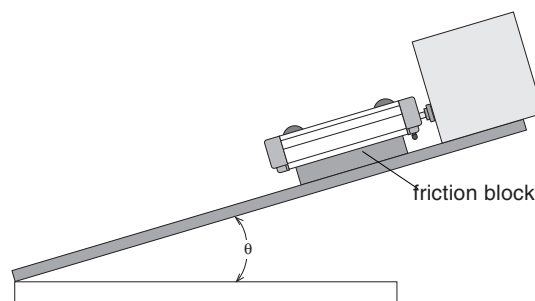


Figure 6.1

Theory

Using the principle of conservation of energy, we can equate the initial energy of the system with the final (i.e. thermal) energy of the system. This leads to:

$$\frac{1}{2}kx^2 + mgD\sin\theta = \mu_k mgD\cos\theta \quad (\text{EQN-1})$$

(elastic P.E.) + (gravitational P.E.) = (work done against friction)

where k is the spring constant of the plunger (from Experiment 4), x is the distance that the plunger is pushed in, m is the mass of the cart plus the friction block, D is the distance that the block slides after the cart's plunger is released, θ is the angle of the ramp to the horizontal, and μ_k is the coefficient of kinetic or "sliding" friction.

In this experiment, you will use the principle of the conservation of energy to predict D , given certain measurements you will make and the value of k determined in Experiment 4. First you will need to determine the coefficient of kinetic or "sliding" friction for the friction block.

Determining μ_k : If the angle of the ramp is high enough, the friction block will slide down the ramp with uniform acceleration due to a net force on the block. The net force on the block is the difference between the component of the gravitational force ($mg\sin\theta$) that is parallel to the surface of the ramp and the friction force ($-\mu_k mg\cos\theta$) that retards the motion. The angle θ is the angle of the ramp when the block slides down the ramp with uniform acceleration. The acceleration down the ramp is given by:

$$a = g\sin\theta - \mu_k g\cos\theta \quad (\text{EQN-2})$$

The average acceleration down the ramp is given by:

$$a = 2d/t^2 \quad (\text{EQN-3})$$

where d is the total distance the block slides and t is the time required to slide through that distance. If the acceleration is uniform, EQN-2 equals EQN-3. You can use the measured values of the angle θ (the angle of uniform acceleration), the distance d , and the time t to calculate the kinetic coefficient of friction μ_k .

Procedure

NOTE: To get consistent results in this experiment, you must insure that the ramp you will be using is both straight and clean. Wipe the surface of the ramp and the friction block with a rag.

Determining coefficient of kinetic or “sliding” friction:

1. Place the cart with the friction block on the ramp. Set up the ramp at a relatively low angle (one that does not cause the friction block to begin sliding down the ramp by itself).
2. Increase the angle of the ramp until the block will begin to slide down the ramp on its own, but only after you “release” it by slapping the table (or tapping the ramp very lightly). Now increase the angle of the ramp by a few more degrees so that the block will slide down the ramp with a uniform acceleration when you release it with a “slap” or tap. The angle of the ramp must be low enough so that the block does not begin to slide on its own -- only when you release it. Measure the angle of the ramp with the protractor and record it as the angle of uniform acceleration (ϕ) in the data table.
3. Release the block from the grasp of static friction as described in the previous step and measure the time of the cart’s descent down the ramp. Record this time as t in data Table 6.1. Measure the distance d that the block slides down the ramp and record this in data Table 6.1. Repeat the measurements four times. Use **EQN-3** to compute the accelerations of the block and enter the values in data Table 6.1. Determine the average value of acceleration and enter it below data Table 6.1.
4. Use **EQN-2** to calculate the coefficient of kinetic or “sliding” friction. Enter it below the data table.

Prediction of D and Measurement of D :

5. Now reduce the angle of the ramp slightly until the block will just barely slide down the ramp with a uniform speed when you release it with a slap or tap. Measure this “slip” angle. Reduce the angle of the ramp to about one half of the “slip” angle. Measure this new angle and record its value in data Table 6.2 as θ . Secure a brick or block at the upper end of the ramp as shown in Figure 6.2.

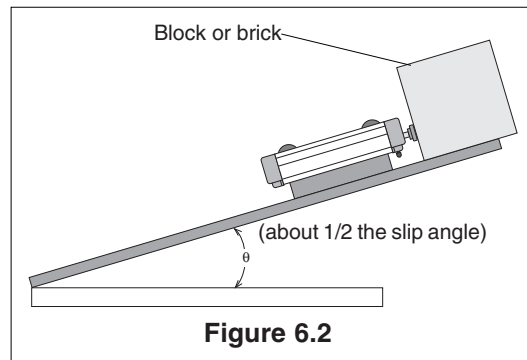


Figure 6.2

6. It is time to make a prediction – Using **EQN-1** and the information that you have recorded, predict D , the distance that the cart will slide down the ramp after being launched. Assume that the plunger on the cart is fully cocked at the position of maximum spring compression. Record your prediction at the top of Table 6.2.
7. After double checking your work in the previous step, launch the cart down the ramp by placing it on the ramp with its cocked plunger against the secured brick. Then tap the spring-release trigger with a rod or stick using a flat edge.

NOTE: This will help to insure that you do not give the cart an initial velocity other than that supplied by the spring plunger.

8. For six trials, measure the distance D that the cart slides and record these in Table 6.2.

NOTE: Sometimes the cart will twist a bit as it descends, so use the midpoint of the back edge of your cart as a reference point for measuring D .

9. Compare your results with your prediction. Compute the percent difference between these two values and enter it below Table 6.2.

Data and Analysis

$\phi =$ _____ Spring constant, $k =$ _____ (from Experiment 4)

Table 6.1

Trial	t (sec)	d (cm)	a ($\frac{\text{cm}}{\text{s}^2}$)
1			
2			
3			
4			

average acceleration = _____ $\frac{\text{cm}}{\text{s}^2}$ coefficient of sliding friction = _____

$\theta =$ _____ Predicted value of D = _____ cm

Table 6.2

Trial	D (cm)
1	
2	
3	
4	
5	
6	

Average of measured value of D = _____ cm Percent of difference = _____ %

Questions

1. In analyzing this system, has the energy been fully accounted for? Discuss.
2. How do your results agree with your prediction? Discuss.
3. What if you launched the cart up the same ramp? How far up would it go?

Notes:

Appendix

WARNING!

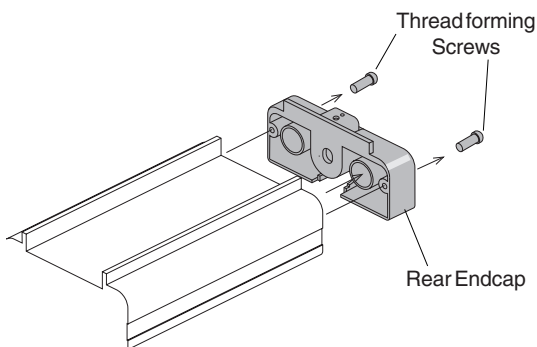
If the baseplate is removed, the axle assemblies may fly out, because they are held in place by compressed springs.

Removal of the plate is a two person operation: One person needs to push down on the wheels while the other slides out the base plate.

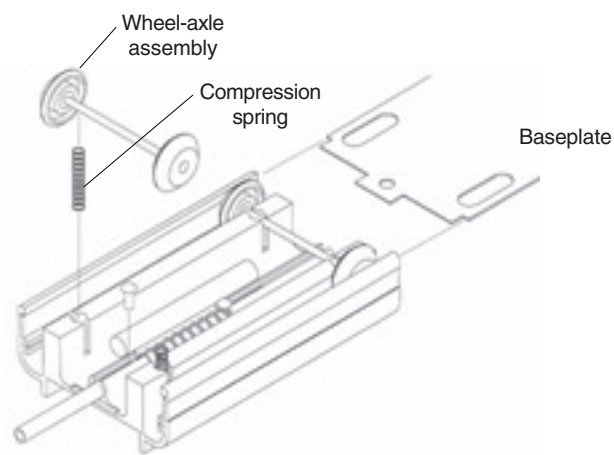
Replacing the Wheel-Axles Assemblies

1. Detach the end cap at the rear of the cart by removing the two screws from the rear end cap as shown.

NOTE: The screws that secure the end caps to either end of the Dynamics Cart are thread forming screws and may require substantial force to remove and reinstall. A #1 Phillips point screw driver is required.



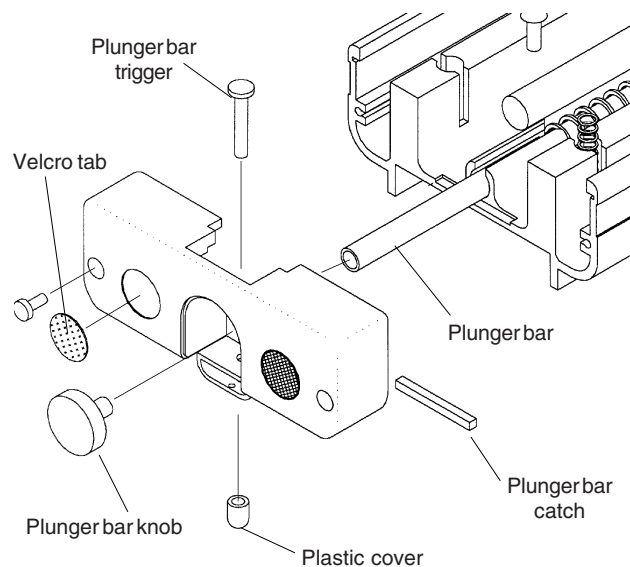
2. Push the wheels into the recessed area and slide the base plate over the wheels.
3. Replace the wheel-axle assembly and springs in reverse order.



4. Slide the baseplate back into position.
5. Replace the rear end cap with the two screws.

Replacing the Front End-Cap Attachments

- Screw the plunger bar knob finger-tight onto the plunger bar.
- Peel off Velcro® tab and replace with new tab.
- The plastic cover may get pulled off the plunger bar catch. Replace with the new cover.
- If the plunger bar becomes defective, please contact PASCO scientific for technical support.



Replacement Parts		
Description	Part No.	Qty
Wheel-axle assembly	ME-6957	4
End cap, modified	648-04699	2
For rear end cap assembly add:		
End cap plug	648-04694	1
Plunger bar	648-04653	1
Plunger bar knob assembly		
Screw (10-32x1/4 socket cap)	610-179	1
Knob	620-033	1
Plunger bar catch cover	699-04658	1
Compression spring (plunger bar)	632-035	1
Suspension spring	632-034	4
Base plate	648-04651	1
Velcro tab, 1/2 inch, Loop	616-074	1
Velcro tab, 1/2 inch, Hook	616-075	1
500 g Mass	648-04636	1

Technical Support

Feedback

If you have any comments about this product or this manual please, let us know. If you have any suggestions on alternate experiments or find a problem in the manual, please tell us. PASCO appreciates any customer feedback. Your input helps us evaluate and improve our product.

To Reach PASCO:

For Technical Support,

Phone: 1-800-772-8700 (toll-free within the U.S.)
or (916) 786-3800.

Email: techsupp@PASCO.com

Fax: (916) 786-3292

Web: <http://www.pasco.com>

Contacting Technical Support

Before you call the PASCO Technical Support staff, it would be helpful to prepare the following information:

- If your problem is computer/software related, note:
 - Title and revision date of software
 - Type of computer (make, model, speed)
 - Type of external cables/peripherals
- If your problem is with the PASCO apparatus, note:
 - Title and model number (usually listed on the label)
 - Approximate age of the apparatus
 - A detailed description of the problem/sequence of events (In case you can't call PASCO right away, you won't lose valuable data.)
 - If possible, have the apparatus within reach when calling. This makes descriptions of individual parts much easier.
- If your problem relates to the instruction manual, note:
 - Part number and revision (listed by month and year on the front cover)
 - Have the manual at hand to discuss your questions.

